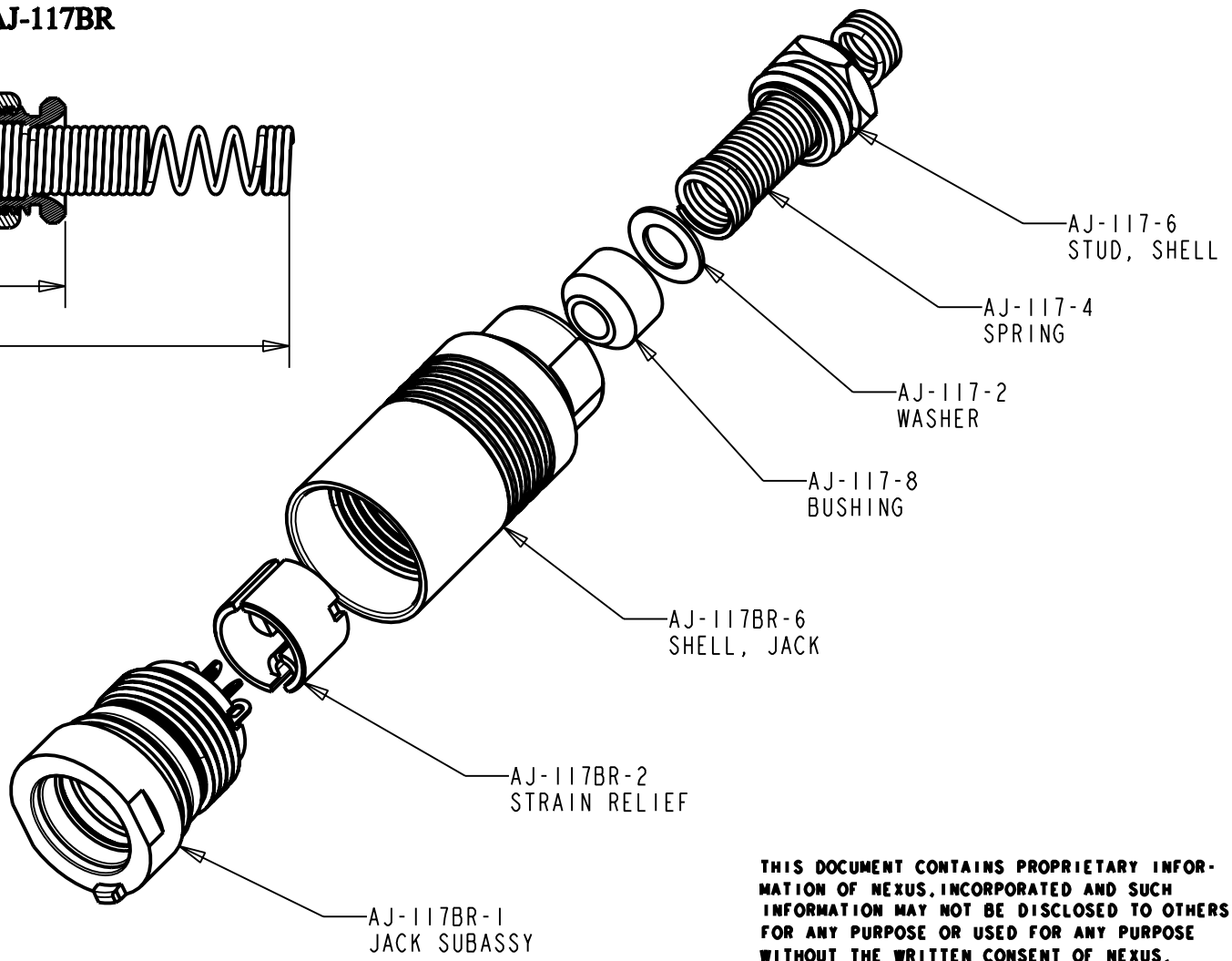
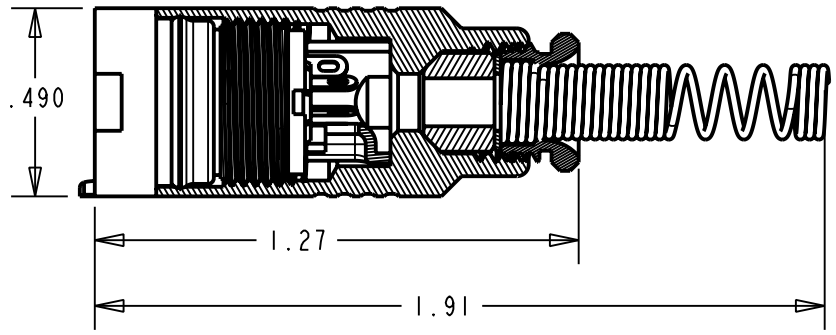


A AJ-117BR-CP

PROPRIETARY - NEXUS

ORDERING PART NUMBER: AJ-117BR



THIS DOCUMENT CONTAINS PROPRIETARY INFORMATION OF NEXUS, INCORPORATED AND SUCH INFORMATION MAY NOT BE DISCLOSED TO OTHERS FOR ANY PURPOSE OR USED FOR ANY PURPOSE WITHOUT THE WRITTEN CONSENT OF NEXUS.

					DWN. BY LDE	DATE 07-Jul-05	MATERIAL	
					CHECKED BY	DATE	FINISH	
					APPR. BY	DATE	WEIGHT	SCALE = 2.00 : 1
					UNLESS OTHERWISE SPECIFIED DIMENSIONS ARE IN INCHES TOLERANCES ON .XX .XXX ANGLES ±.003 ±.5°			NEXUS STAMFORD, CONN. SIZE DWG. NO. A AJ-117BR-CP
LET.	REVISION	CN #	DATE	CHK.				