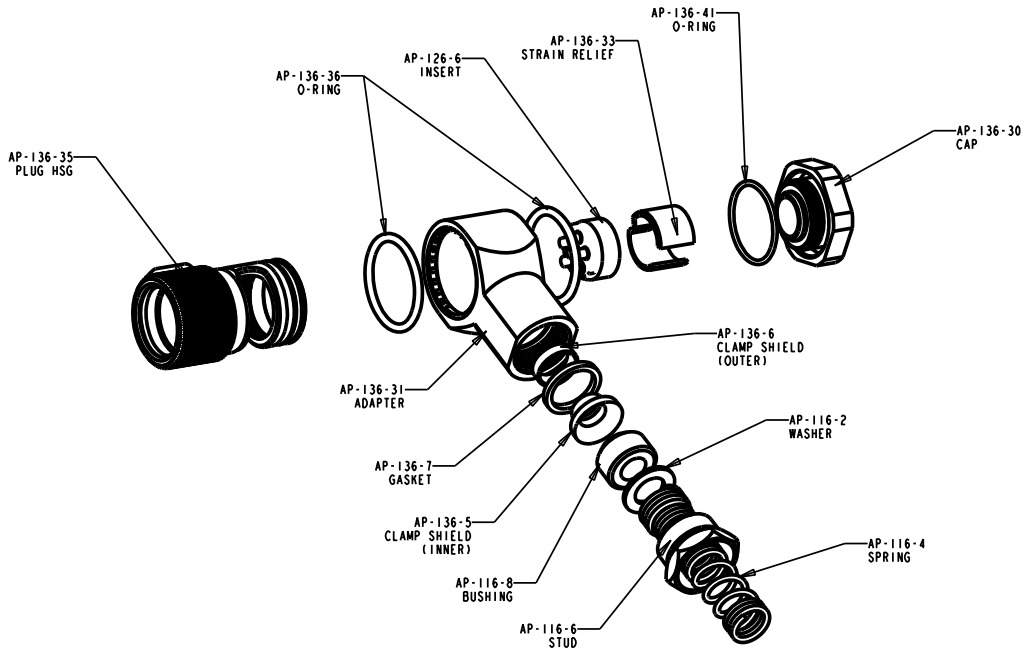
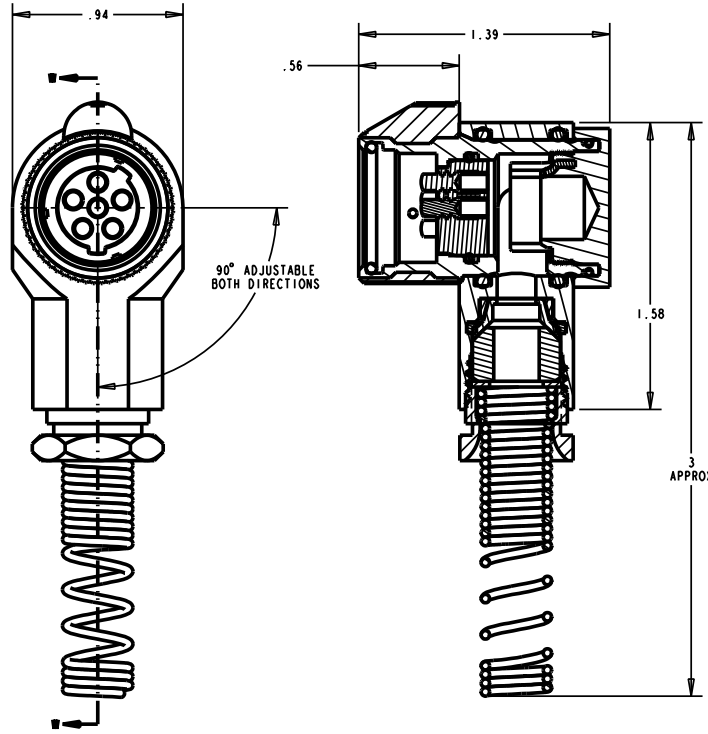


PROPRIETARY - NEXUS
 ORDERING PART #: AP-136RA

C AP-136RACP



SECTION W-W

THIS DOCUMENT CONTAINS PROPRIETARY INFORMATION OF NEXUS. INCORPORATED AND SUCH INFORMATION MAY NOT BE DISCLOSED TO OTHERS FOR ANY PURPOSE OR USED FOR ANY PURPOSE WITHOUT THE WRITTEN CONSENT OF NEXUS.

DES. BY	LDE	DATE	19-NOV-09	MATERIAL	
CHECKED BY		DATE		FINISH	
APP. BY		DATE		WEIGHT	SCALE = 1.00 : 1
G REVISE PARTS LIST 095 1/28 2011 HR				TITLE	
F LABEL PARTS WERE A-SIZE 11/15 2010 HR				AUDIO PLUG - 90°	
LET. REVISION				ORDER PART #: AP-136RA	
UNLESS OTHERWISE SPECIFIED DIMENSIONS ARE IN INCHES ANGLES IN DEGREES				DO NOT SCALE DIM. SHEET 1 OF 1	
				NEXUS STAMFORD, CONN SIZE C DIM. NO. AP-136RACP	