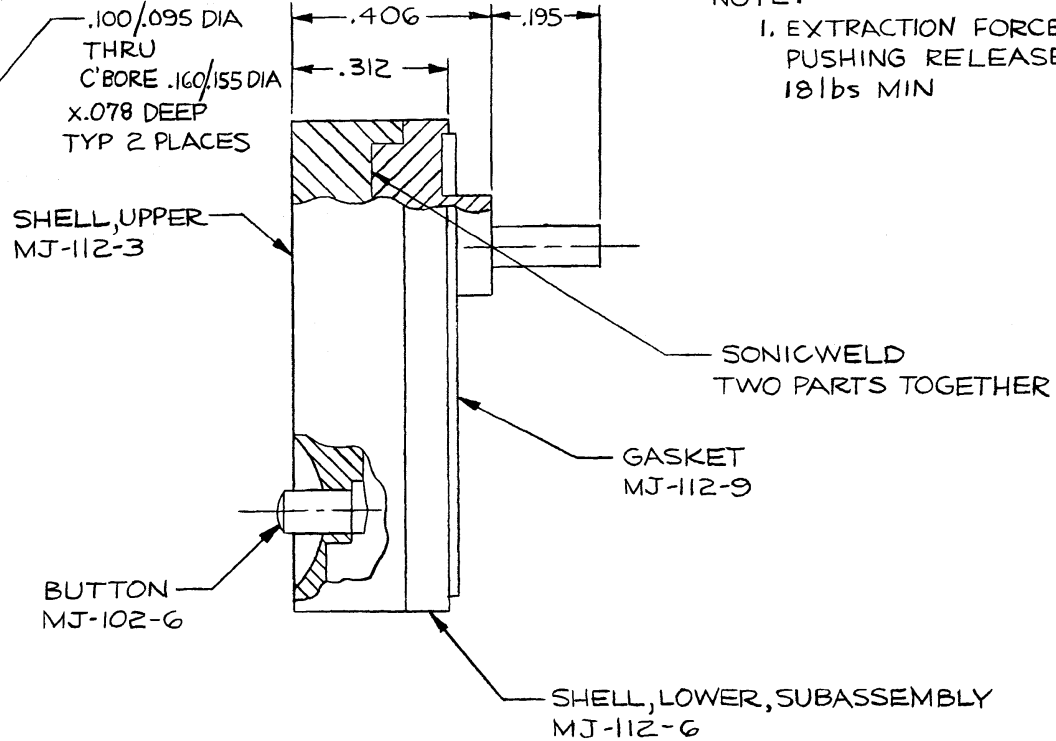


B MJ-112



NOTE:
1. EXTRACTION FORCE WITHOUT
PUSHING RELEASE BUTTON:
18lbs MIN

LET.	REVISION	DATE	CHK.
C	1) ADDED SONICWELD NOTE		
B	ADDED NOTE 1	10/11/90	
A	1) REVISED LETTERING	6-3-88	AWT

DWN. BY IDH	DATE 4-2-86	MATERIAL	
CHECKED BY AWT	DATE 4-15-86	FINISH	SCALE 4:1
APPR. BY		WEIGHT	
UNLESS OTHERWISE SPECIFIED		TITLE MICROPHONE JACK ASSEMBLY	
DIMENSIONS ARE IN INCHES		NEXUS STAMFORD, CONN.	
TOLERANCES ON		DO NOT SCALE DWG.	SIZE DWG. NO. B MJ-112
FRACTIONS DECIMALS ANGLES		SHEET	OF