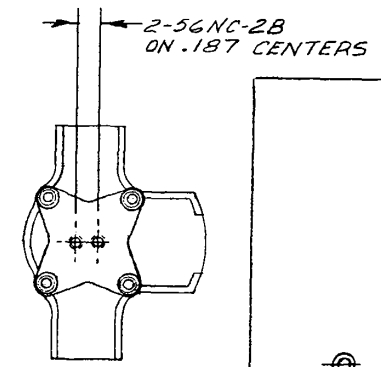
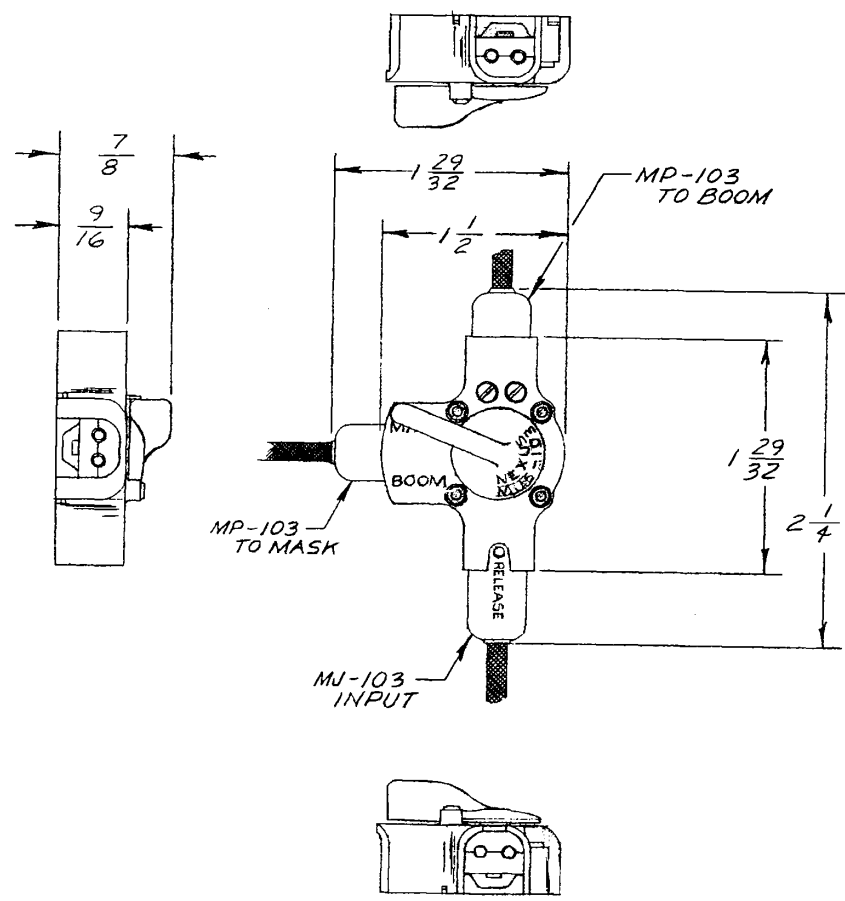


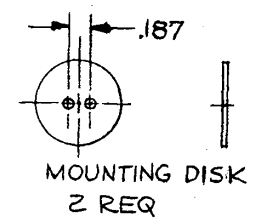
B MJS-103

NOTES:

1. MATING CONNECTORS (MJ-103 & MP-103) ARE NOT SUPPLIED WITH THIS ASSEMBLY - SHOWN FOR REFERENCE ONLY.
2. BOOM PLUG IS SECURED TO SWITCH ASSEMBLY BY (2) SET SCREWS. MASK PLUG IS SECURED TO SWITCH ASSEMBLY BY SPRING DETENTS - EXTRACTION FORCE IS 4 TO 8 POUNDS.
3. HI-LOW MICROPHONE CONTACTS ARE SWITCHED BY MOVEMENT OF LEVER, GROUND CONTACTS ARE NOT SWITCHED.



BOTTOM VIEW
MTG. BRACKET



- LOCKWASHER, SPLIT 2 REQ
- SCREW - *2-56 X 1/4 LG 2 REQ

TO ASSEMBLE NEXUS MJS-103 SWITCH TO A SPH-4 HELMET USE ALL HARDWARE SHOWN ABOVE. FAILURE TO USE LOCKWASHERS & 2 DISKS MAY CAUSE SWITCH TO JAM.

A	ADDED MOUNTING PAGES	0-2-06
LET	REVISION	DATE

OWN. BY EC	DATE 5/27/64	MATERIAL	
CHECKED BY		FINISH	
APPR. BY WHT	5/30/64	WEIGHT	SCALE 1:1
UNLESS OTHERWISE SPECIFIED		TITLE	
DIMENSIONS ARE TO UNLESS TOLERANCES OR FRACTIONS DECIMALS ANGLES		SELECTOR SWITCH, MICROPHONE - BOOM/MASK	
DO NOT SCALE DWG.		SHEET 1 OF 1	
		<p>NEXUS STAMFORD, CONN.</p>	
		SIZE B	DWG. NO. MJS-103