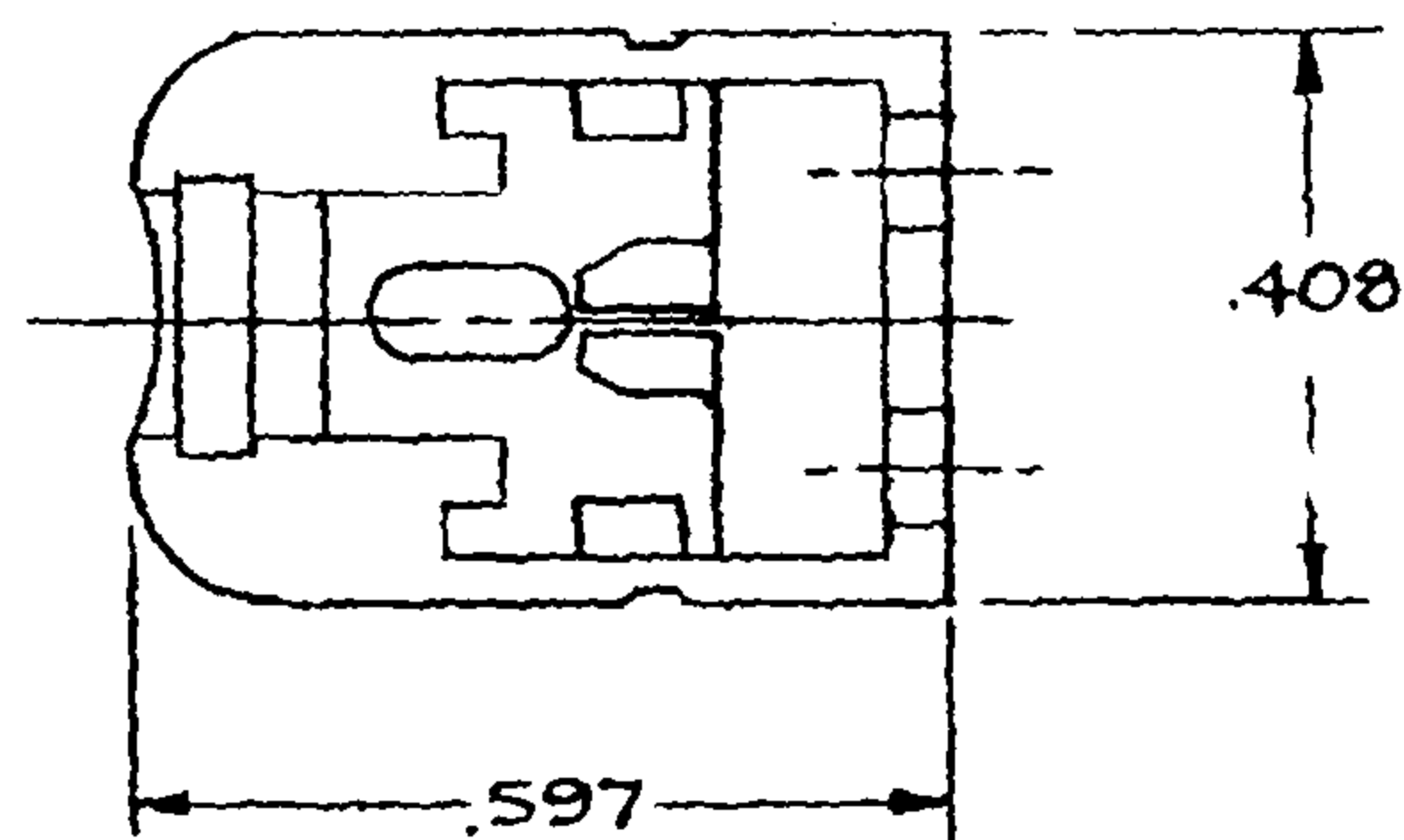
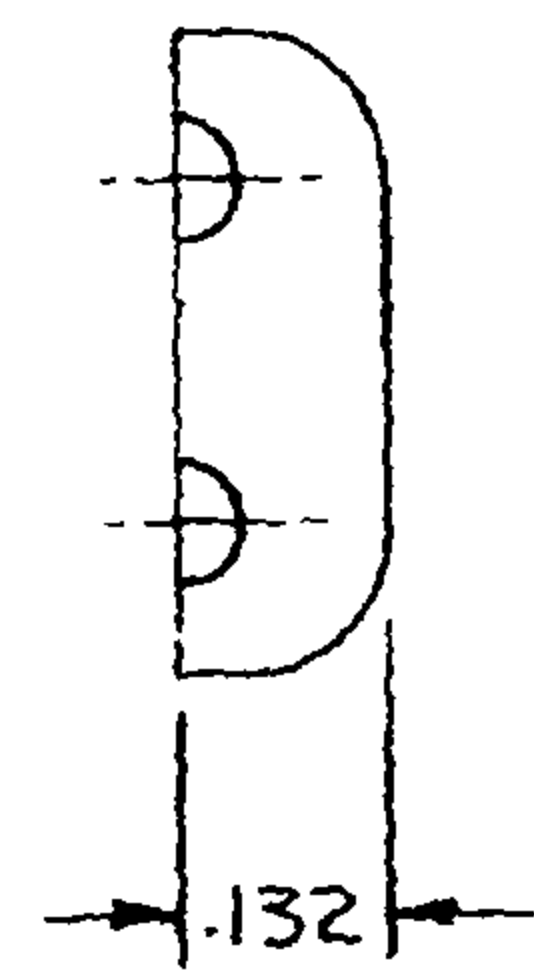
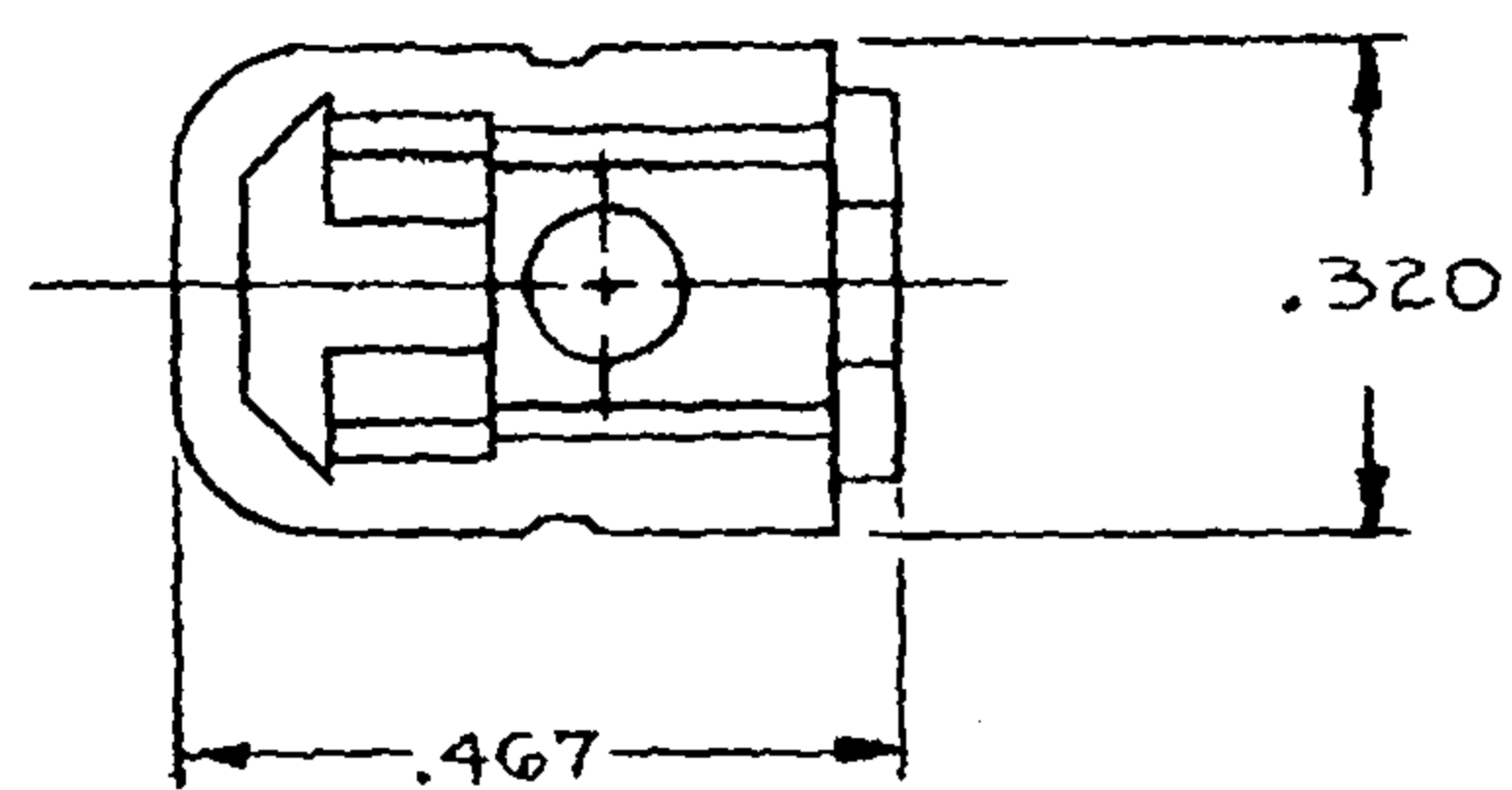
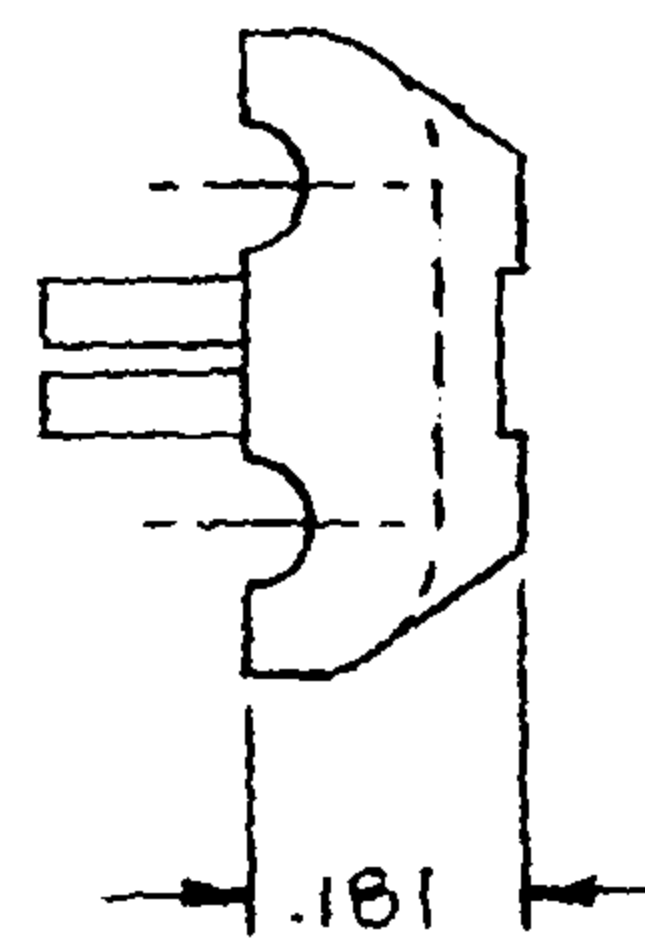


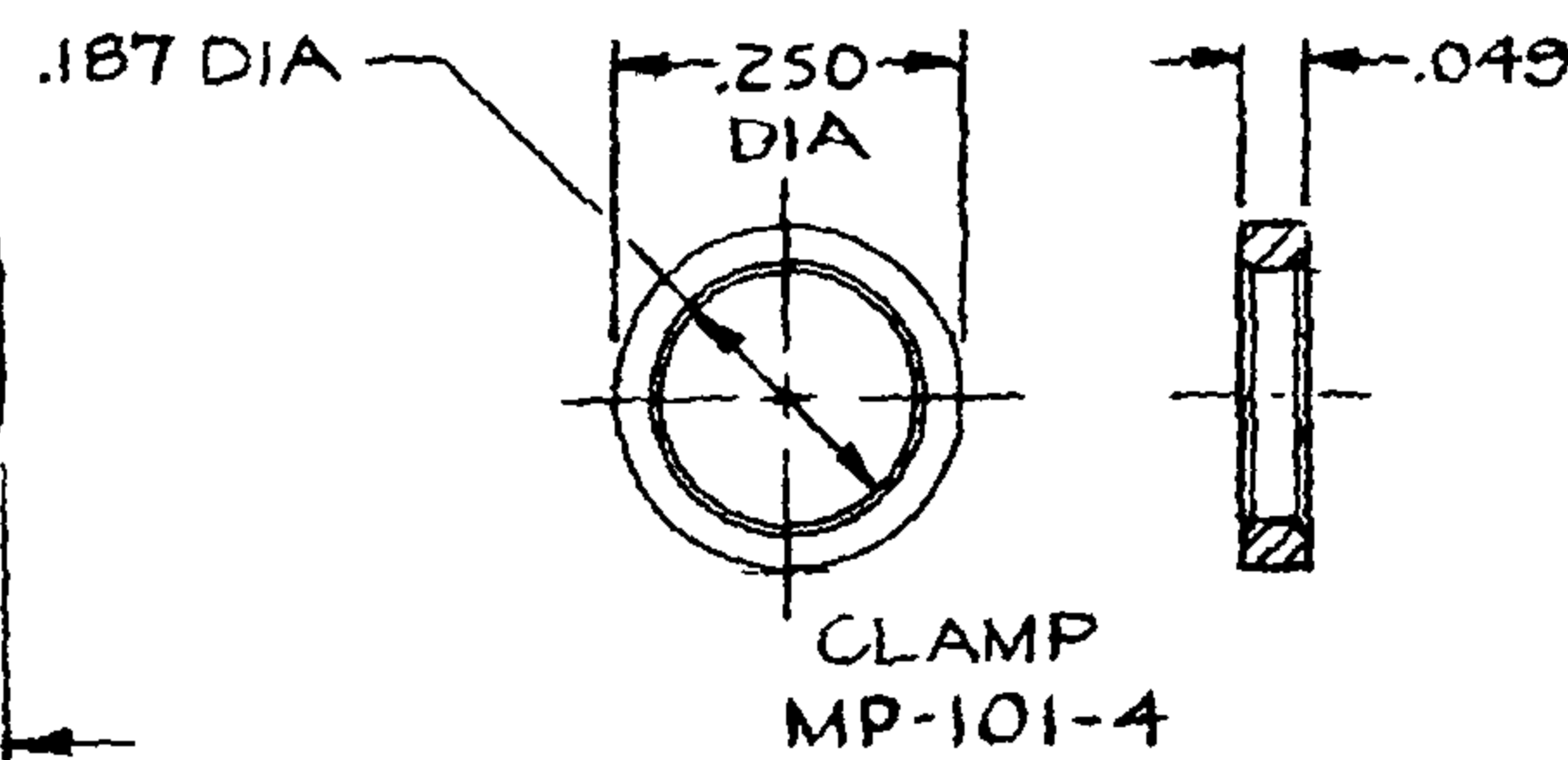
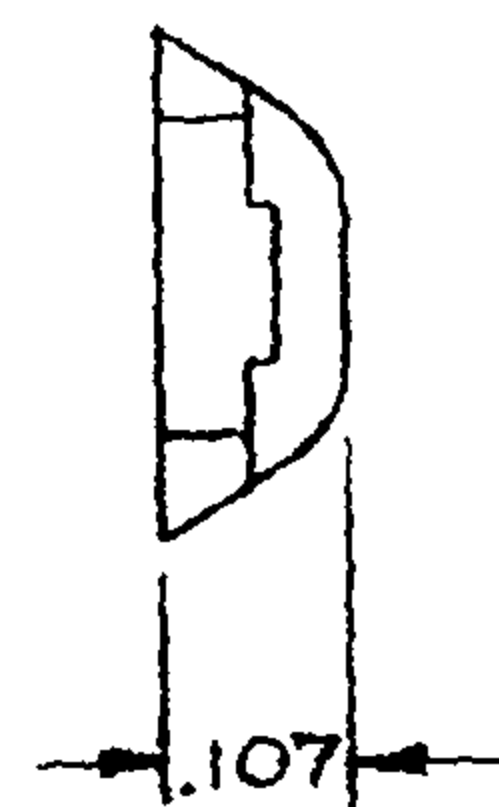
INSERT #1  
MP-103-1



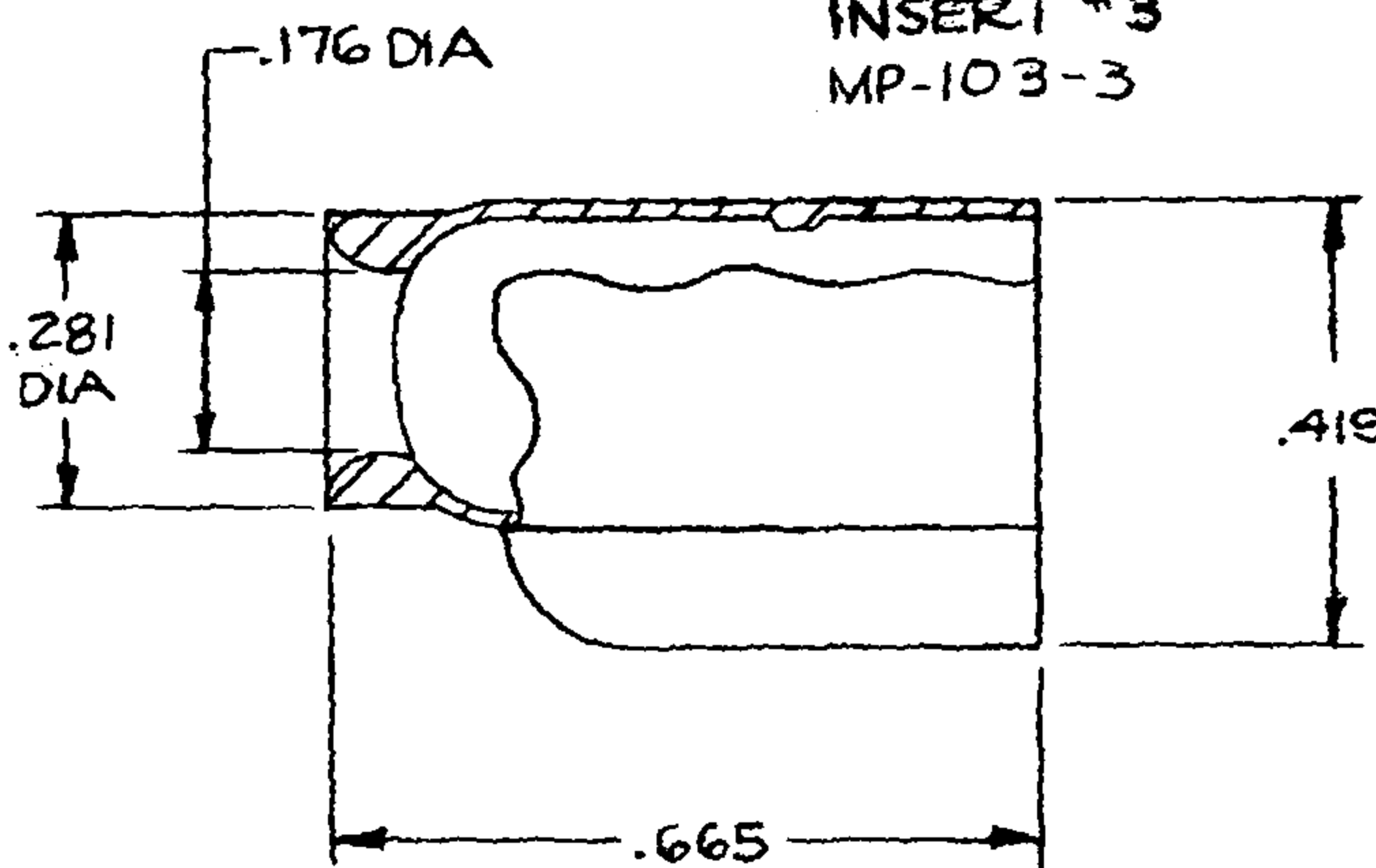
INSERT #2  
MP-103-2



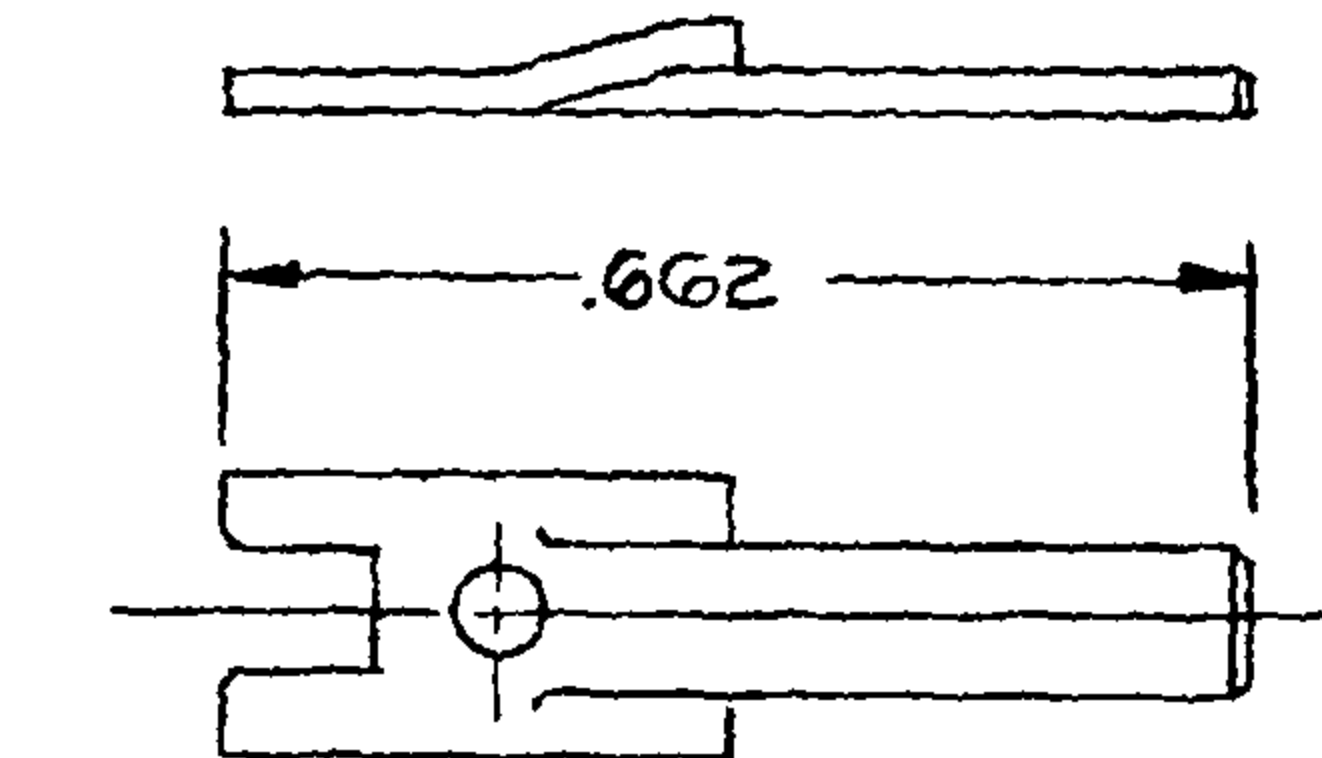
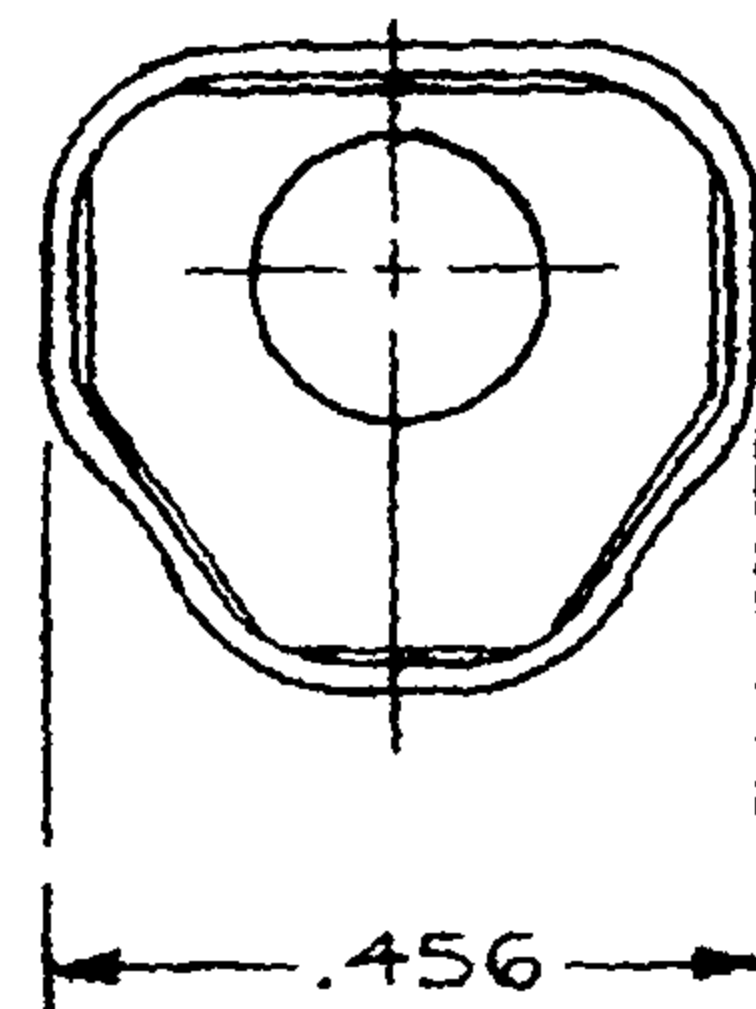
INSERT #3  
MP-103-3



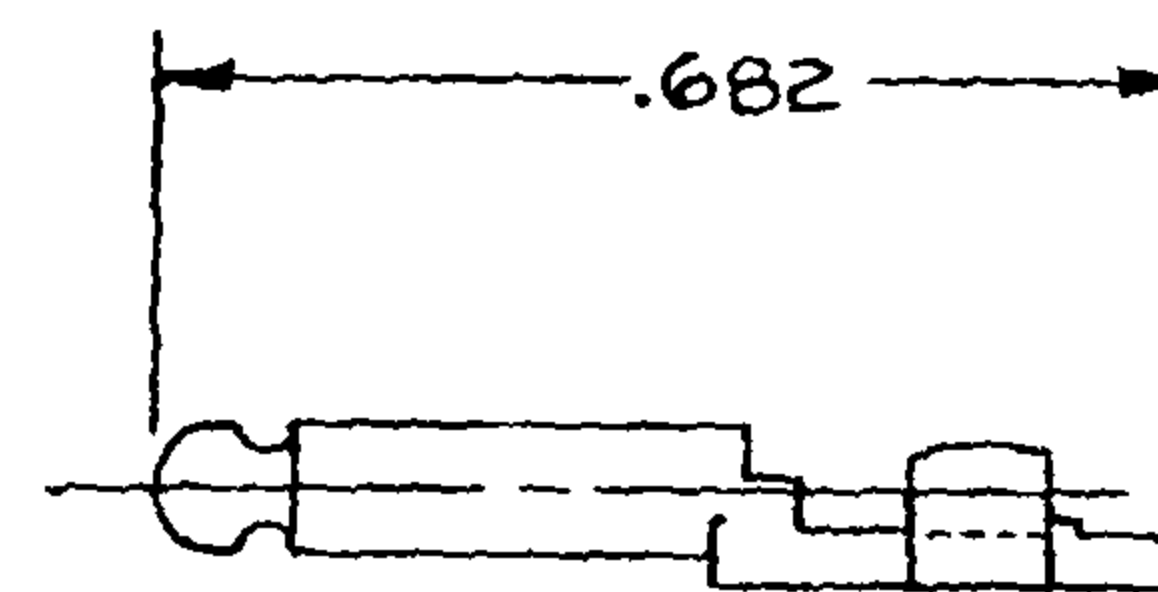
CLAMP  
MP-101-4



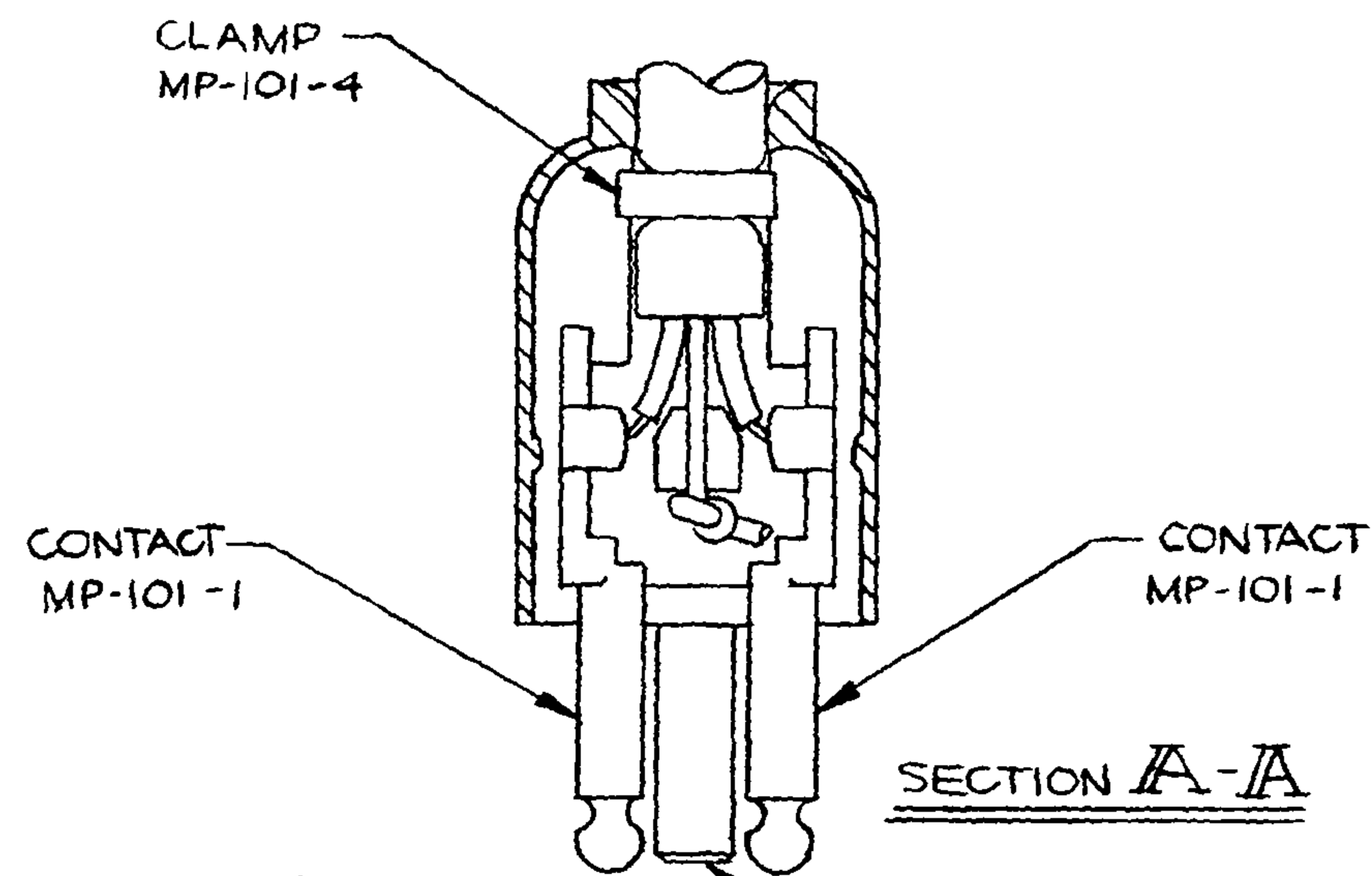
SHELL  
MP-103-5



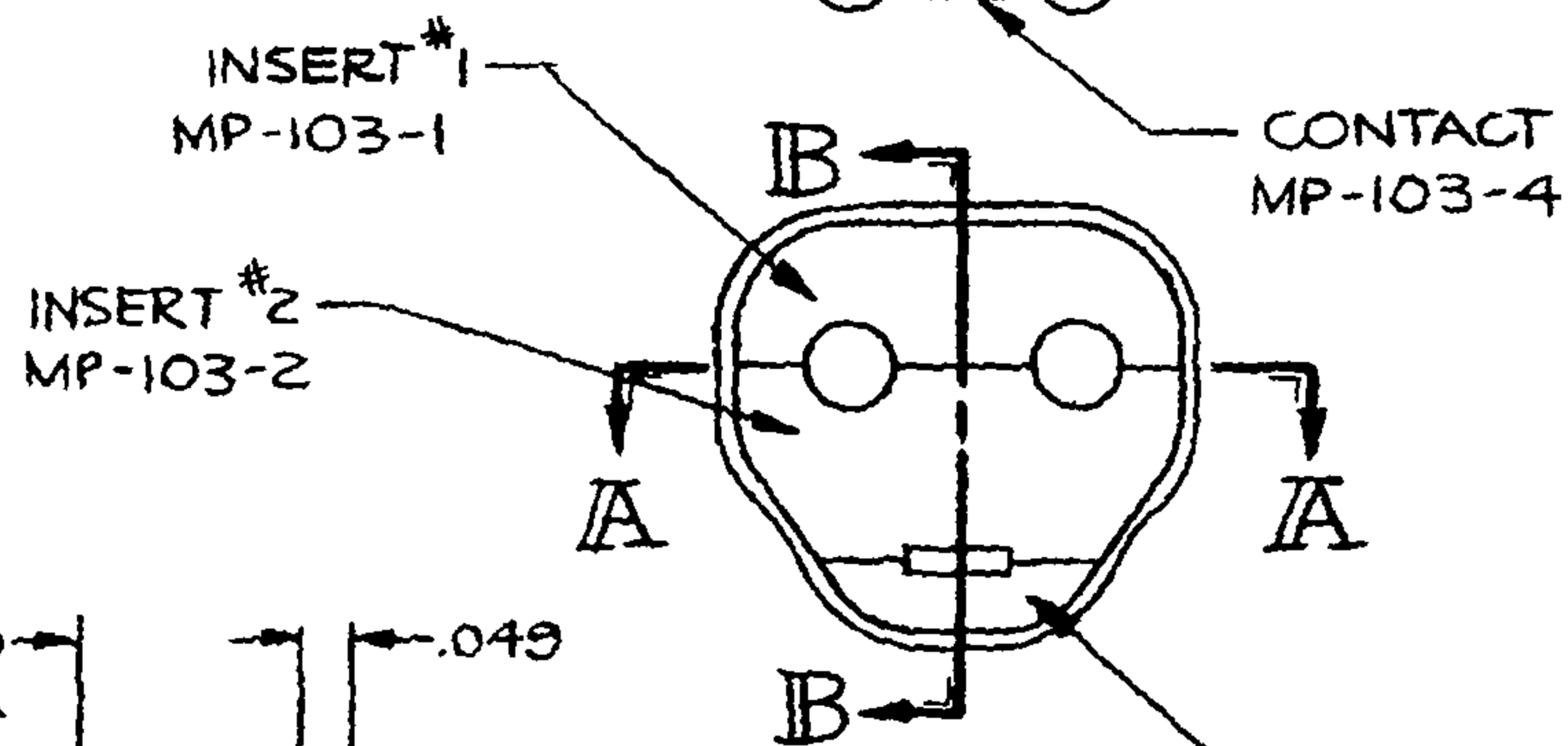
CONTACT  
MP-103-4



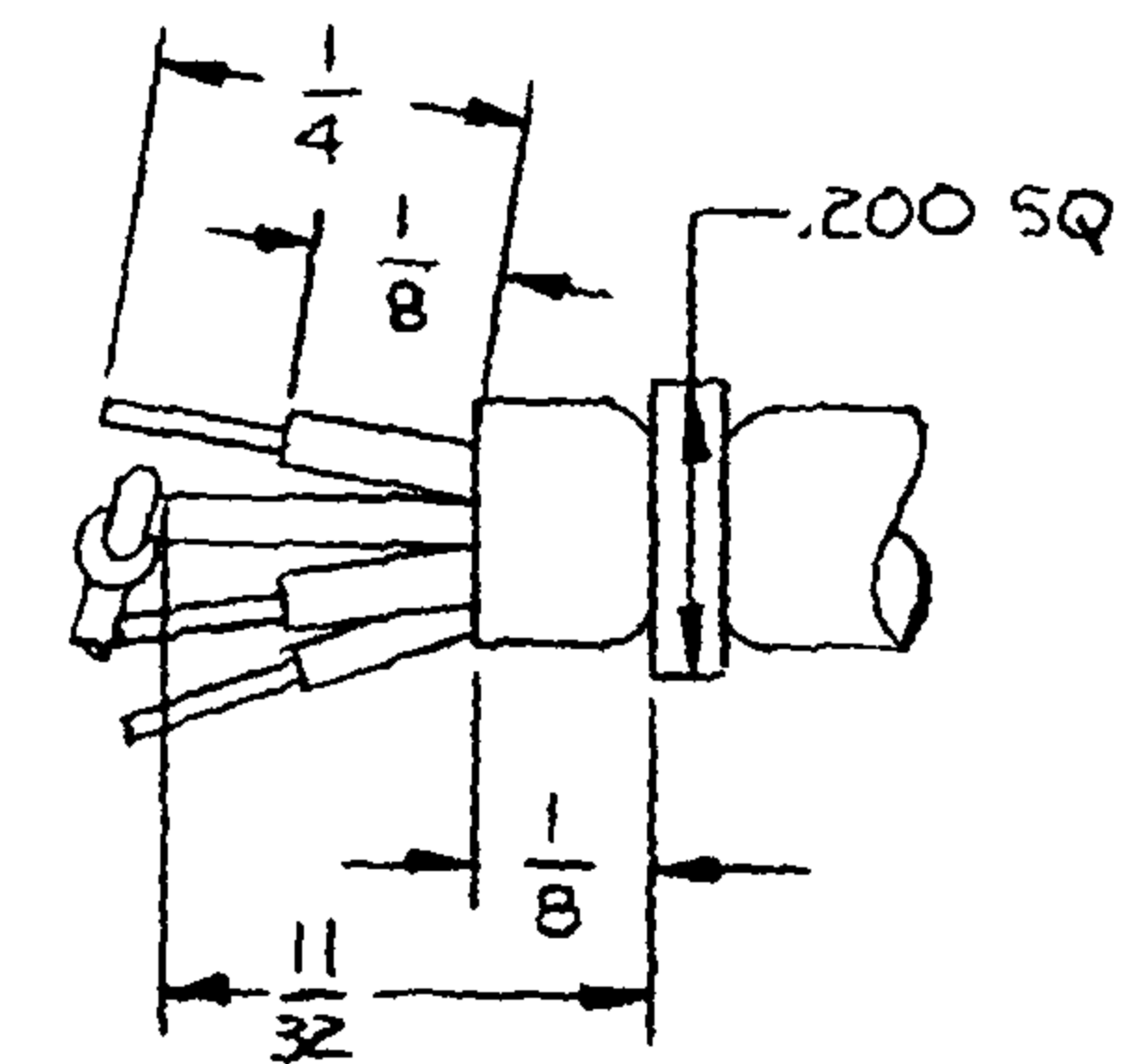
CONTACT  
MP-101-1



SECTION A-A



SECTION B-B



CMP-103

OWN BY IDH	DATE 8-22-85	MATERIAL	
CHECKED BY		FINISH	
APPR. BY		WEIGHT	SCALE 4:1
UNLESS OTHERWISE SPECIFIED DIMENSIONS ARE IN INCHES TOLERANCES ON FRACTIONS DECIMALS ANGLES		TITLE MICROPHONE PLUG	
		DO NOT SCALE DWG.	SHEET OF
		NEXUS STAMFORD, CONN.	
		C MP-103	

LET.	REVISION	DATE	CHK.