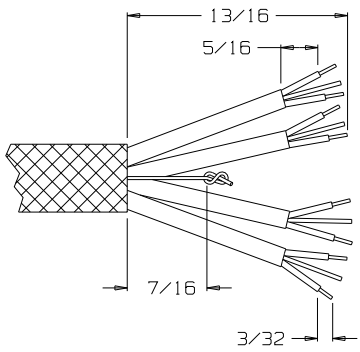
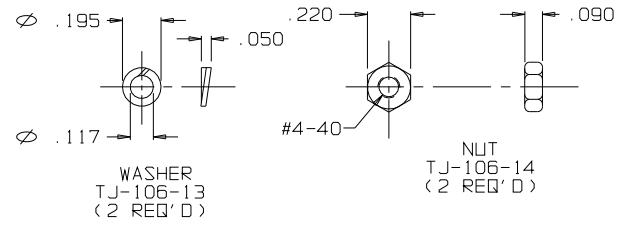
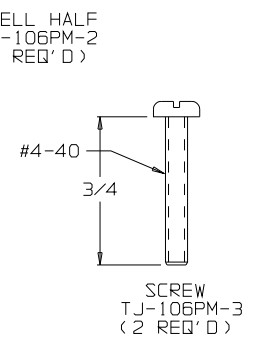
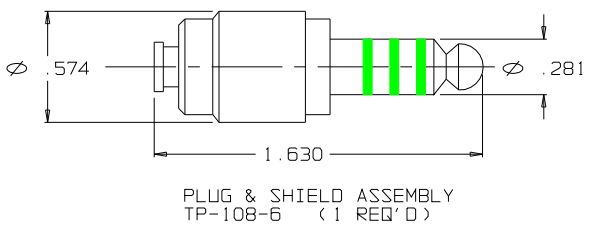
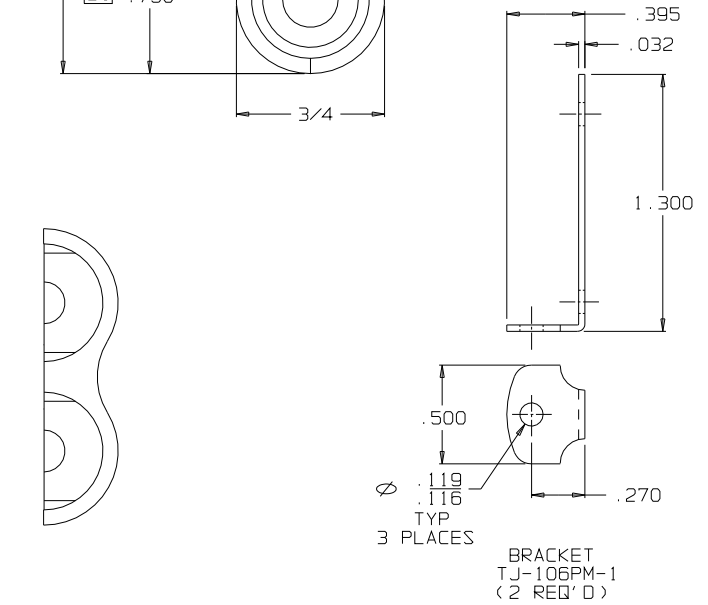
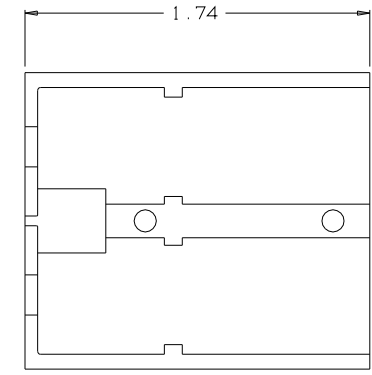
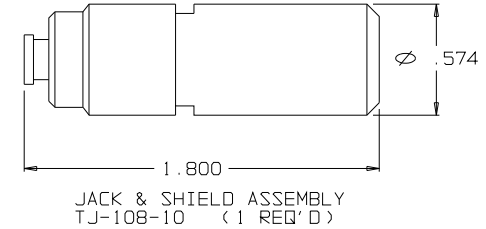
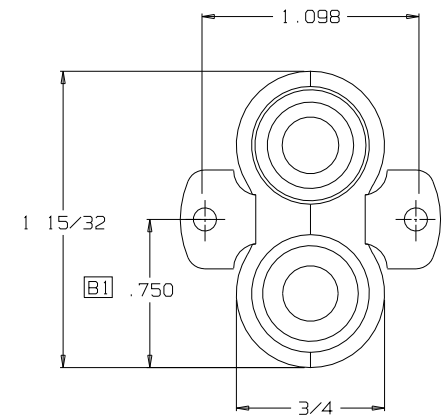
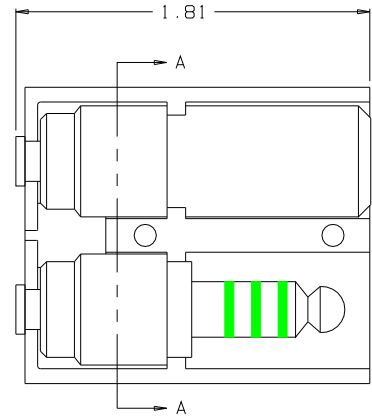
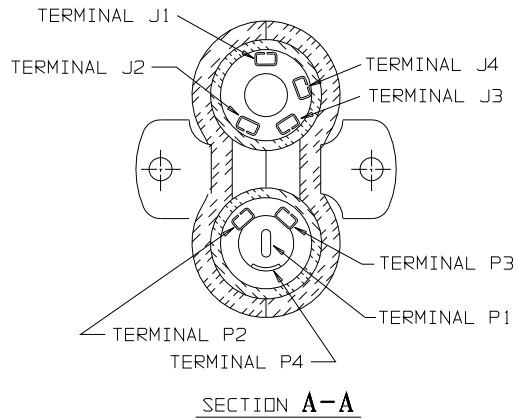


C TJ-108PM



THIS DOCUMENT CONTAINS PROPRIETARY INFORMATION OF NEXUS, INCORPORATED AND SUCH INFORMATION MAY NOT BE DISCLOSED TO OTHERS FOR ANY PURPOSE OR USED FOR ANY PURPOSE WITHOUT THE WRITTEN CONSENT OF NEXUS.

B	1. ADD .750 DIMENSION.	047	2/24/10	GPH
A	INITIAL RELEASE	045	5/12/06	EWT
LET.	REVISION	CN #	DATE	CHK.

DWN. BY	EWT	DATE	12/9/05	MATERIAL	SEE FIELD OF DRAWING
CHECKED BY	EWT	DATE	5/12/06	FINISH	N/A
APPR. BY		DATE		WEIGHT	SCALE 2:1
				TITLE	TELEPHONE JACK PANEL MOUNT 8 CONDUCTOR
				DD NOT SCALE DWG.	SHEET 1 OF 1
				SIZE	C
				DWG. NO.	TJ-108PM

UNLESS OTHERWISE SPECIFIED DIMENSIONS ARE IN INCHES TOLERANCES ON .XX .XXX ANGLES ± .02 ± .003 ± .5°