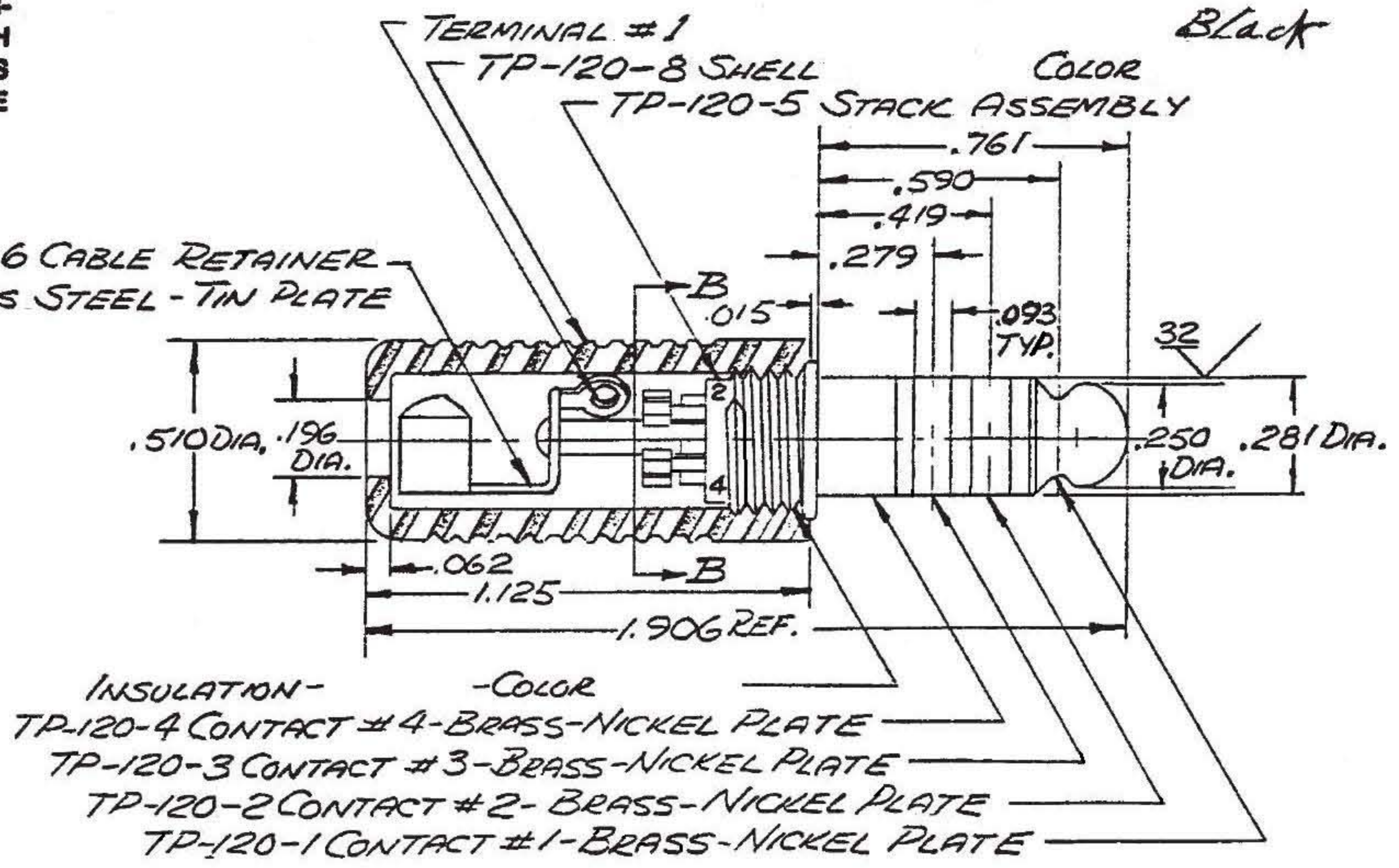
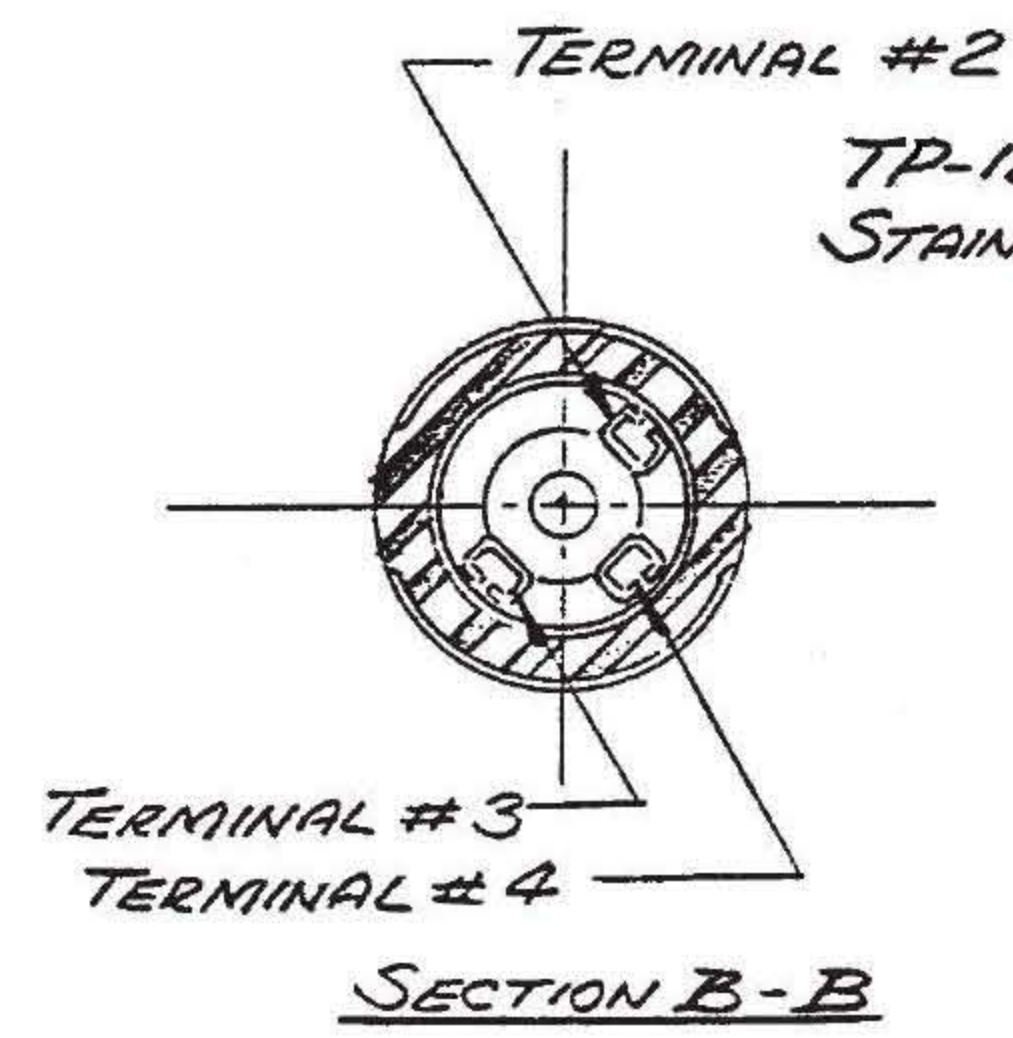


A TP-120

NOTES:

1. TELEPHONE PLUG MATES WITH U-92/A TELEPHONE JACK & NEXUS TELEPHONE JACKS TJ-120 FLANGE MOUNTED, TJG-120 GROUNDED & TJT-120 THREAD MOUNTED JACKS.
2. TERMINALS 1 & 3 ARE FOR MICROPHONE CIRCUIT, TERMINALS 2 & 4 ARE FOR EARPHONE CIRCUIT.

THIS DOCUMENT CONTAINS PROPRIETARY INFORMATION OF NEXUS, INCORPORATED AND SUCH INFORMATION MAY NOT BE DISCLOSED TO OTHERS FOR ANY PURPOSE OR USED FOR ANY PURPOSE WITHOUT THE WRITTEN CONSENT OF NEXUS.



DWN. BY <i>RWF</i>	DATE 7/21/71	MATERIAL AS SPECIFIED	
CHECKED BY		FINISH AS SPECIFIED	
APPR. BY		WEIGHT	SCALE 2-1
UNLESS OTHERWISE SPECIFIED		TITLE	
DIMENSIONS ARE IN INCHES		TELEPHONE PLUG ROHS COMPLIANT	
TOLERANCES ON FRACTIONS DECIMALS ANGLES			
A REVISED & REDRAWN 7/21/71 RWF		NEXUS STAMFORD, CONN.	
		SIZE	DWG. NO.
		A	TP-120