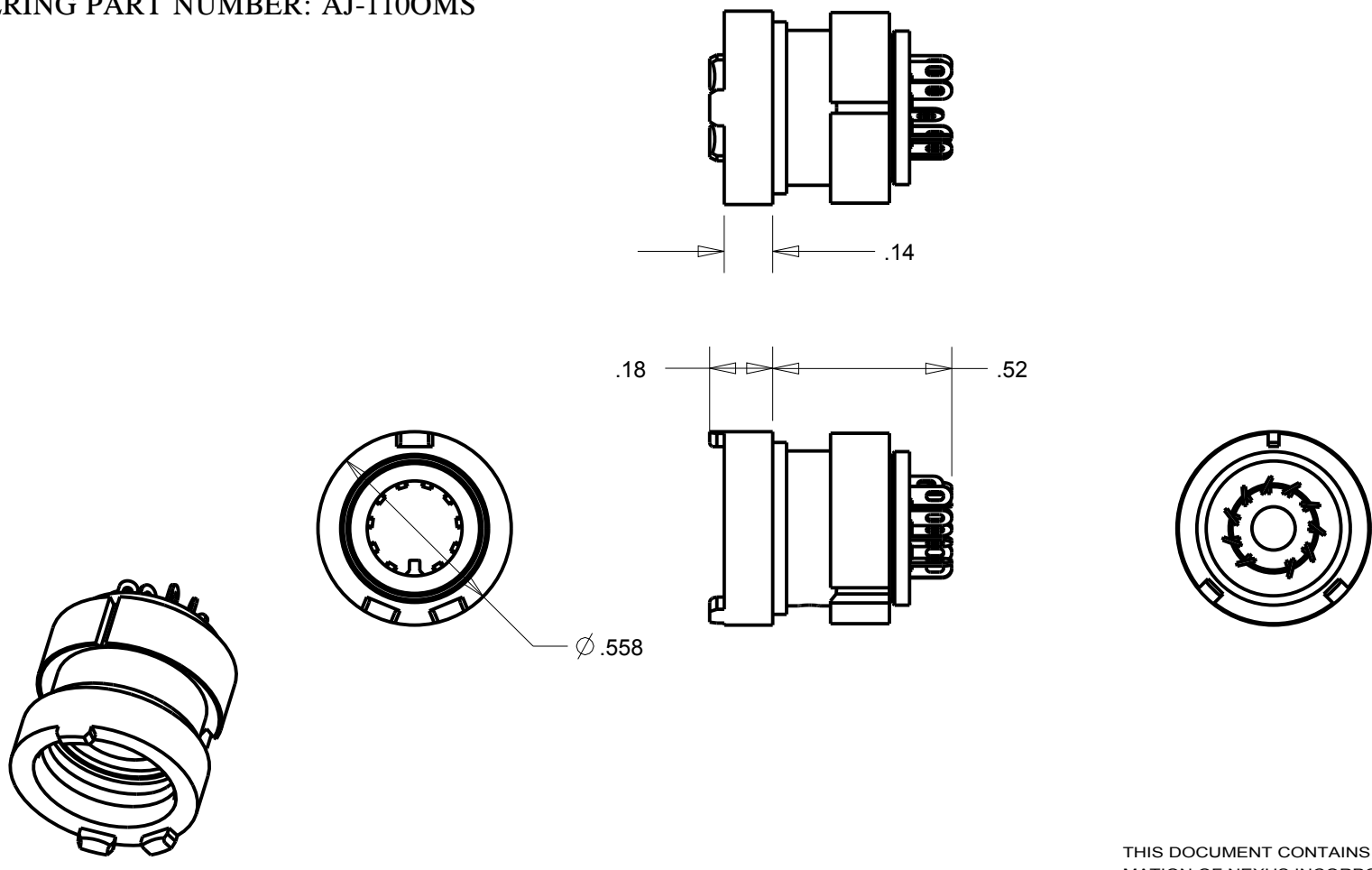


# PROPRIETARY - NEXUS

ORDERING PART NUMBER: AJ-1100MS

**A** AJ-1100MS-CP



THIS DOCUMENT CONTAINS PROPRIETARY INFORMATION OF NEXUS, INCORPORATED AND SUCH INFORMATION MAY NOT BE DISCLOSED TO OTHERS FOR ANY PURPOSE OR USED FOR ANY PURPOSE WITHOUT THE WRITTEN CONSENT OF NEXUS.

					DWN. BY <b>LDE</b>	DATE 03/14/08	MATERIAL		
					CHECKED BY	DATE	FINISH		
					APPR. BY	DATE	WEIGHT	SCALE = 2.00 :1	<b>NEXUS</b> STAMFORD, CONN
					UNLESS OTHERWISE SPECIFIED: DIMENSIONS ARE IN INCHES & OR [mm]		TITLE		
<b>B</b>	MODIFY CONTACT ANGLE		05/07 2012	<b>LDE</b>	TOLERANCES: DECIMAL: .XX[X.X] .XXX[X.XX] ± .01[0.3] ± .003[0.08]		<b>JACK - OMS</b> ORDERING PART NUMBER: AJ-1100MS		SIZE <b>A</b>
LET.	REVISION	CN #	DATE	CHK.	FRACTION: X/X ± 1/64	ANGLES: X ± .5	DO NOT SCALE DWG.	SHEET 1 OF 1	DWG. NO. AJ-1100MS-CP