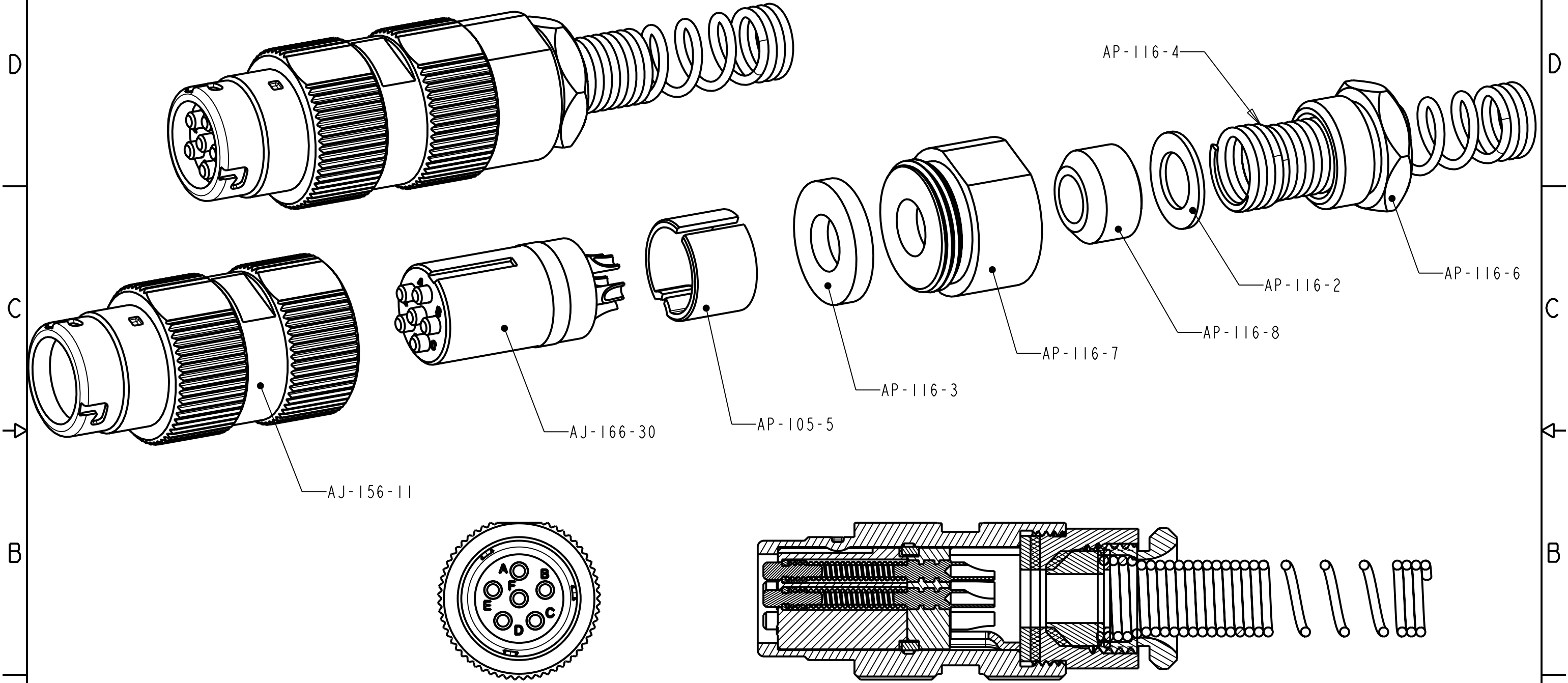


B AJ-166



THIS DOCUMENT CONTAINS PROPRIETARY INFORMATION OF NEXUS, INCORPORATED AND SUCH INFORMATION MAY NOT BE DISCLOSED TO OTHERS FOR ANY PURPOSE OR USED FOR ANY PURPOSE WITHOUT THE WRITTEN CONSENT OF NEXUS.

| LET. | REVISION | CN # | DATE | CHK. |
|------|----------|------|------|------|
| | | | | |
| | | | | |
| | | | | |
| | | | | |

| | | | |
|------------|-----|------|-----------|
| DWN. BY | LDE | DATE | 13-Jul-09 |
| CHECKED BY | | DATE | |
| APPR. BY | | DATE | |

| | |
|-------------------------------|------------------|
| MATERIAL | |
| FINISH | |
| WEIGHT | SCALE = 2.00 : 1 |
| TITLE | |
| JACK, 6 PIN AUDIO, SOLDER CUP | |
| DO NOT SCALE DWG. | SHEET 1 OF 1 |

NEXUS
STAMFORD, CONN

SIZE **B** DWG. NO. **AJ-166**