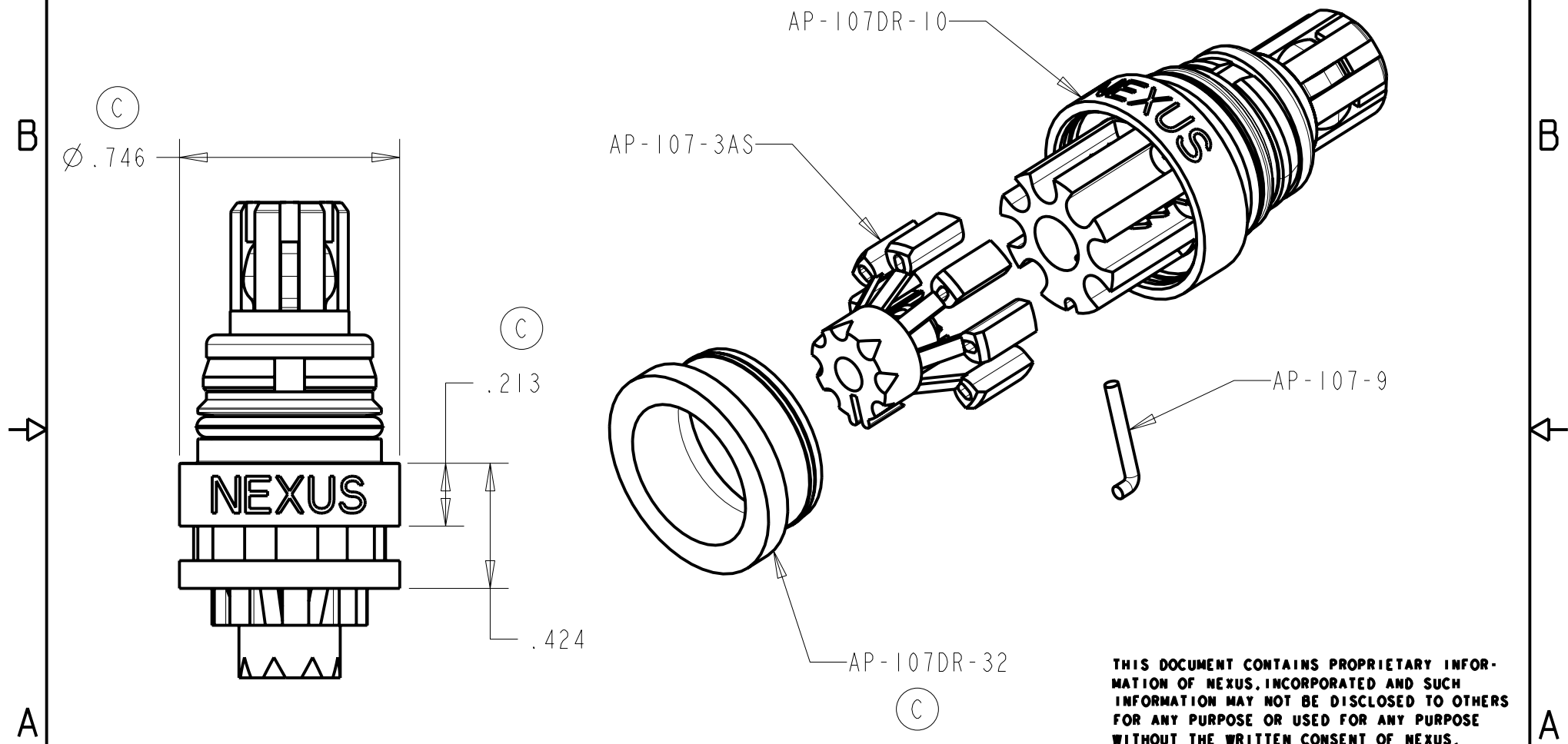


PROPRIETARY - NEXUS

ORDERING PART NUMBER: AP-107DR

A AP-107DR-CP



THIS DOCUMENT CONTAINS PROPRIETARY INFORMATION OF NEXUS, INCORPORATED AND SUCH INFORMATION MAY NOT BE DISCLOSED TO OTHERS FOR ANY PURPOSE OR USED FOR ANY PURPOSE WITHOUT THE WRITTEN CONSENT OF NEXUS.

					DWN. BY LDE	DATE 29-Sep-08	MATERIAL			
					CHECKED BY	DATE	FINISH			
					APPR. BY	DATE	WEIGHT	SCALE = 2.00 : 1	NEXUS STAMFORD, CONN	
C	REVERT TO ORIGINAL DR HSG & RETAINER	1049	12/06 2010		UNLESS OTHERWISE SPECIFIED DIMENSIONS ARE IN INCHES TOLERANCES ON .XX .XXX ANGLES ±.003 ±.5°			TITLE		SIZE
B	ADD CUSTOMER DIMENSIONS		10/20 2010					PLUG - DR ORDERING PART NUMBER: AP-107DR		DWG. NO.
LET.	REVISION	CN #	DATE	CHK.				DO NOT SCALE DWG.	SHEET 1 OF 1	A AP-107DR-CP