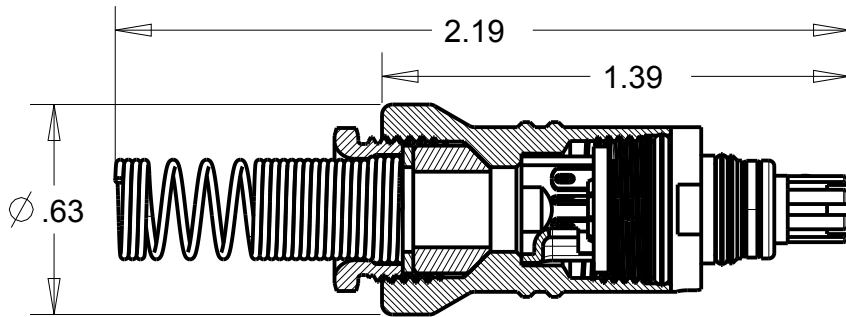
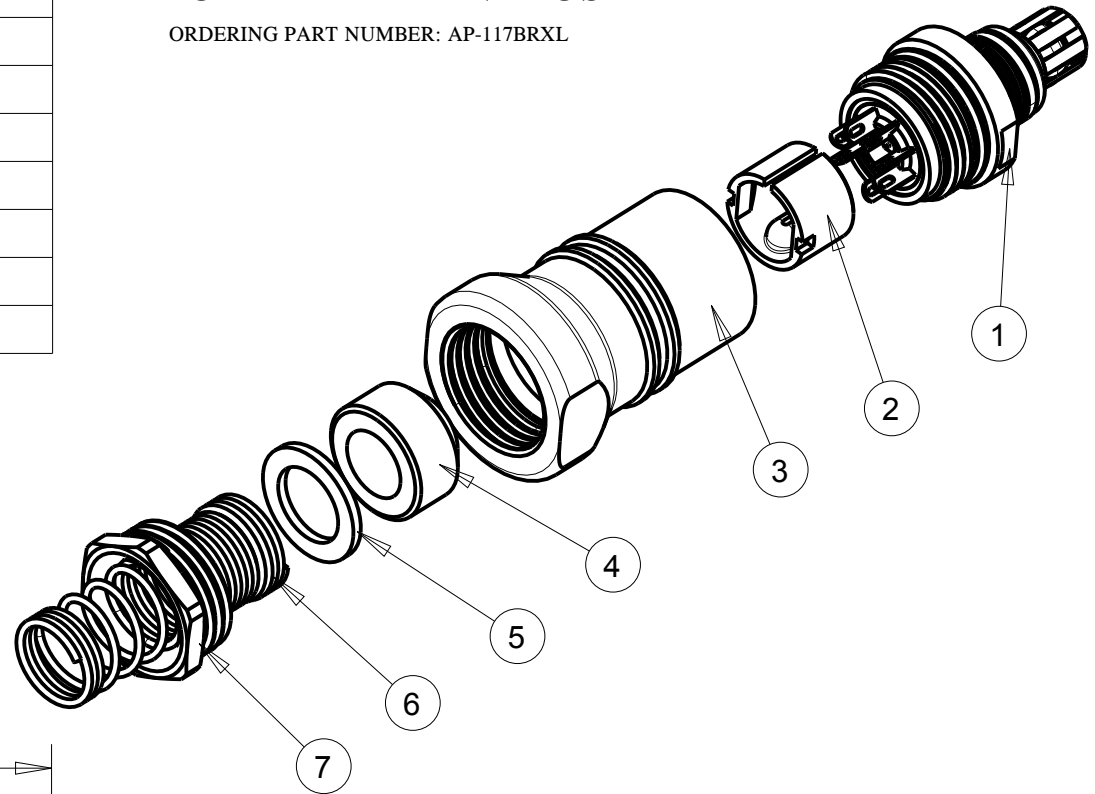


ITEM #	PART #	QTY	DESCRIPTION
1	AP-117BR-1	1	PLUG SUBASSEMBLY
2	AJ-117BR-2	1	STRAIN RELIEF
3	AP-117BR-32	1	SHELL, PLUG - 1/4"
4	AP-117BR-9	1	BUSHING - 1/4"
5	AJ-110BR-10	1	WASHER - 1/4"
6	AJ-117BR-15	1	SPRING - 1/4"
7	AJ-117BR-11	1	STUD, SHELL - 1/4"

PROPRIETARY - NEXUS

ORDERING PART NUMBER: AP-117BRXL

A AP-117BRXL-CD



THIS DOCUMENT CONTAINS PROPRIETARY INFORMATION OF NEXUS, INCORPORATED AND SUCH INFORMATION MAY NOT BE DISCLOSED TO OTHERS FOR ANY PURPOSE OR USED FOR ANY PURPOSE WITHOUT THE WRITTEN CONSENT OF NEXUS.

					DWN.BY LDE	DATE 07-Jul-05	MATERIAL		
					CHECKED BY	DATE	FINISH		
					APPR.BY	DATE	WEIGHT	SCALE = 2.00 :1	
B	REVISE BOM	155	1/30 2013	HR	UNLESS OTHERWISE SPECIFIED: DIMENSIONS ARE IN INCHES & OR (mm) TOLERANCES: DECIMAL: .XX[X.X] .XXX[X.XX] ± .01[0.3] ± .003[0.08]			NEXUS STAMFORD, CONN	
A	NEW RELEASE		7/7 2005	LDE					TITLE PLUG XL-1/4" STRAIN RELIEF ORDERING PART NUMBER: AP-117BRXL
LET.	REVISION	CN #	DATE	CHK.	FRACTION: XX ± 1/64	ANGLES: X ± .5	DO NOT SCALE DWG.		
							SHEET 1 OF 1		A DWG. NO. AP-117BRXL-CD