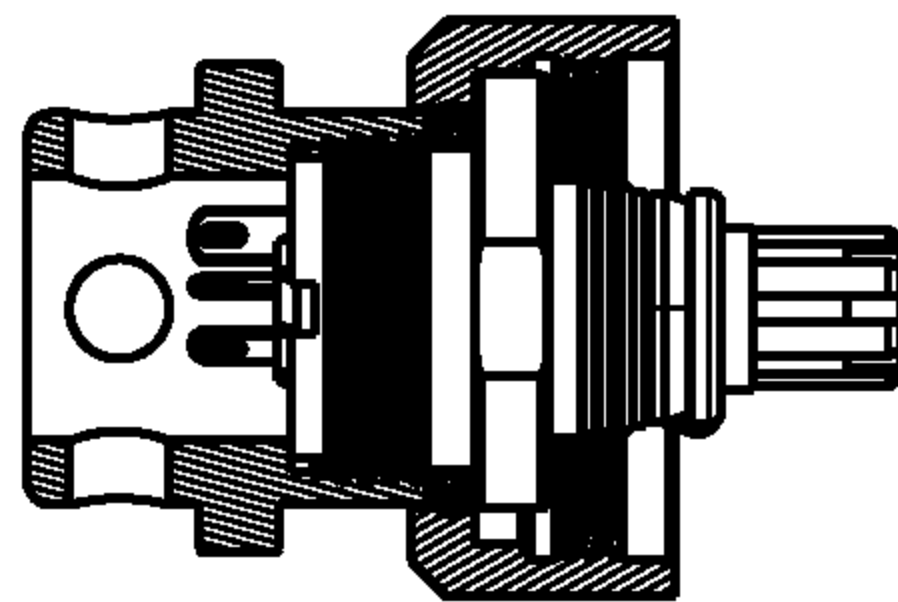
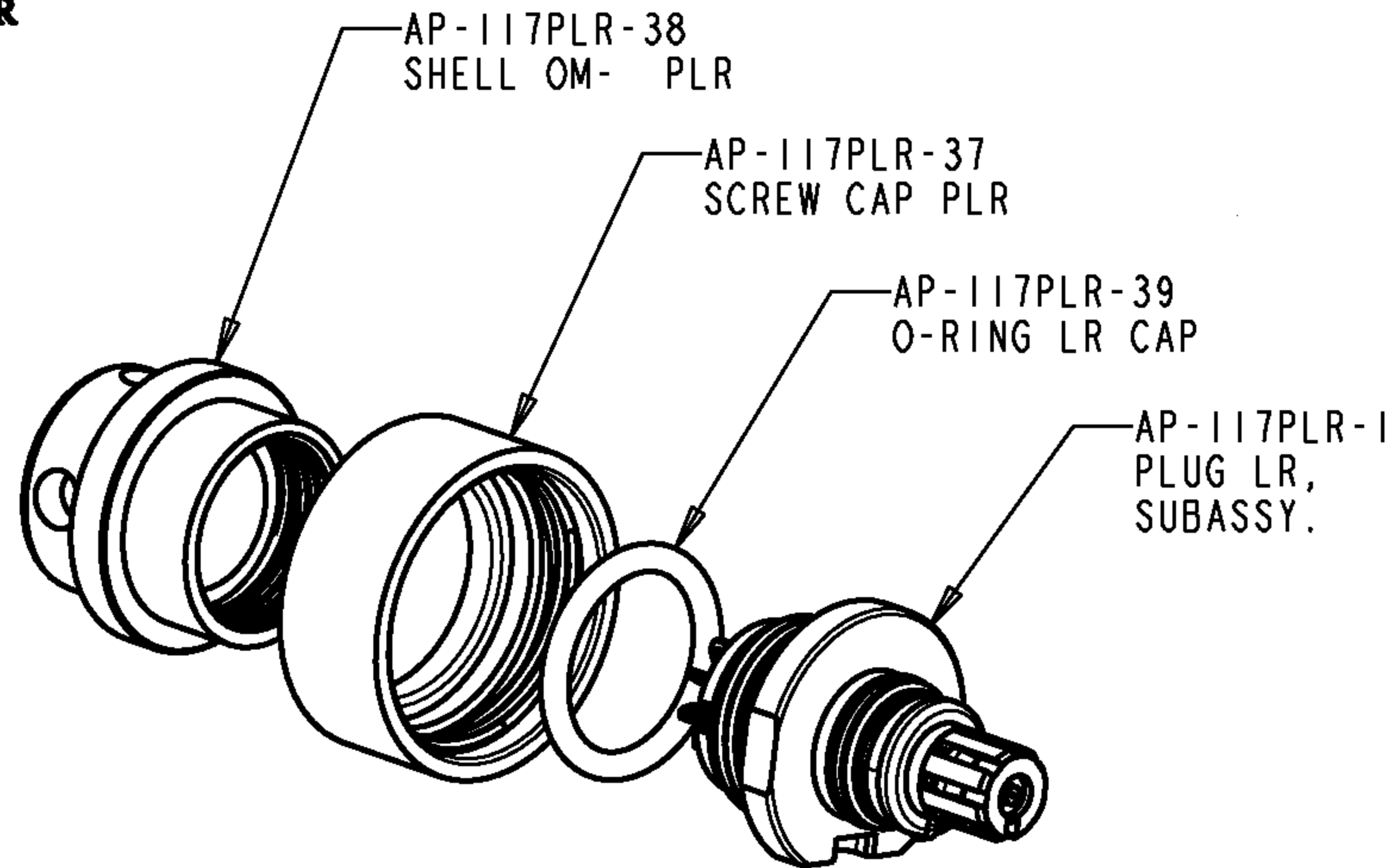


# PROPRIETARY - NEXUS

A AP-117PLR-CP

ORDERING PART NUMBER: AP-117PLR



THIS DOCUMENT CONTAINS PROPRIETARY INFORMATION OF NEXUS, INCORPORATED AND SUCH INFORMATION MAY NOT BE DISCLOSED TO OTHERS FOR ANY PURPOSE OR USED FOR ANY PURPOSE WITHOUT THE WRITTEN CONSENT OF NEXUS.

					DWR. BY <b>LDE</b>	DATE <b>30-Mar-06</b>	MATERIAL			
					CHECKED BY	DATE	FINISH			
					APPR. BY	DATE	WEIGHT	SCALE = 2.00 : 1		
					UNLESS OTHERWISE SPECIFIED DIMENSIONS ARE IN INCHES TOLERANCES ON		TITLE	<b>NEXUS</b> <b>STAMFORD, CONN</b>		
					.XX	.XXX	<b>PLUG PLR</b> <b>ORDERING PART NUMBER: AP-117PLR</b>			SIZE
LET.	REVISION	CN #	DATE	CHK.		ANGLES ±.003 ±.5°	DO NOT SCALE DWG.	SHEET 1 OF 1	<b>A</b>	<b>AP-117PLR-CP</b>