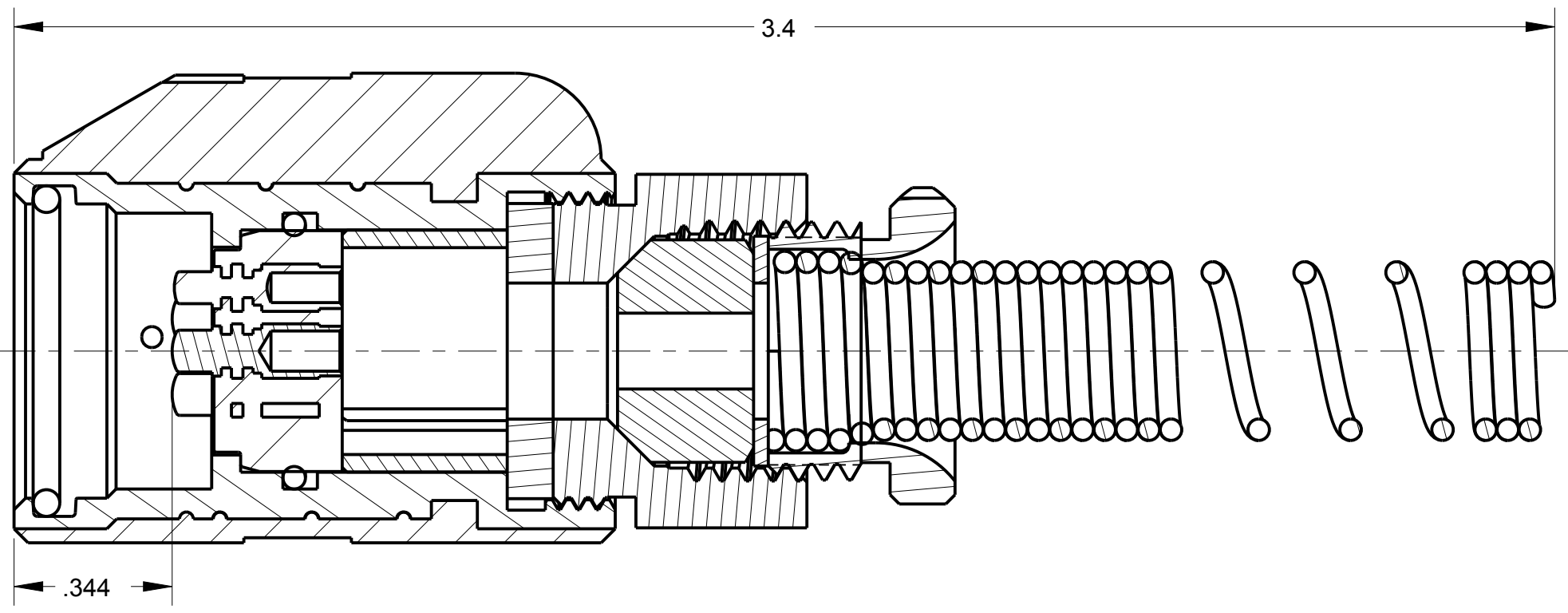
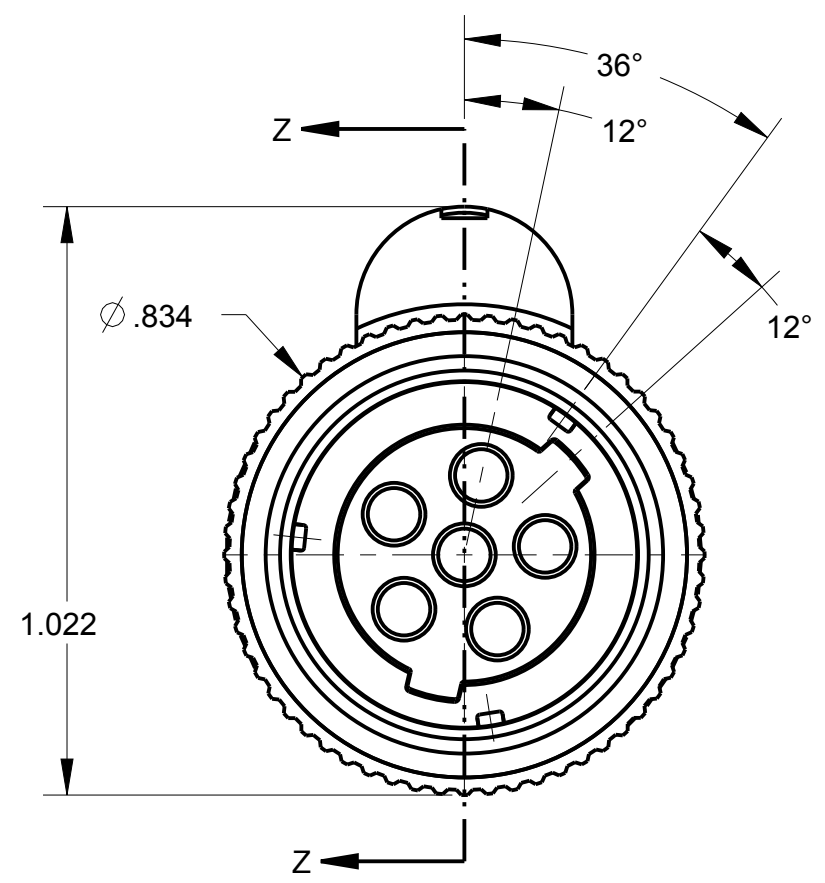
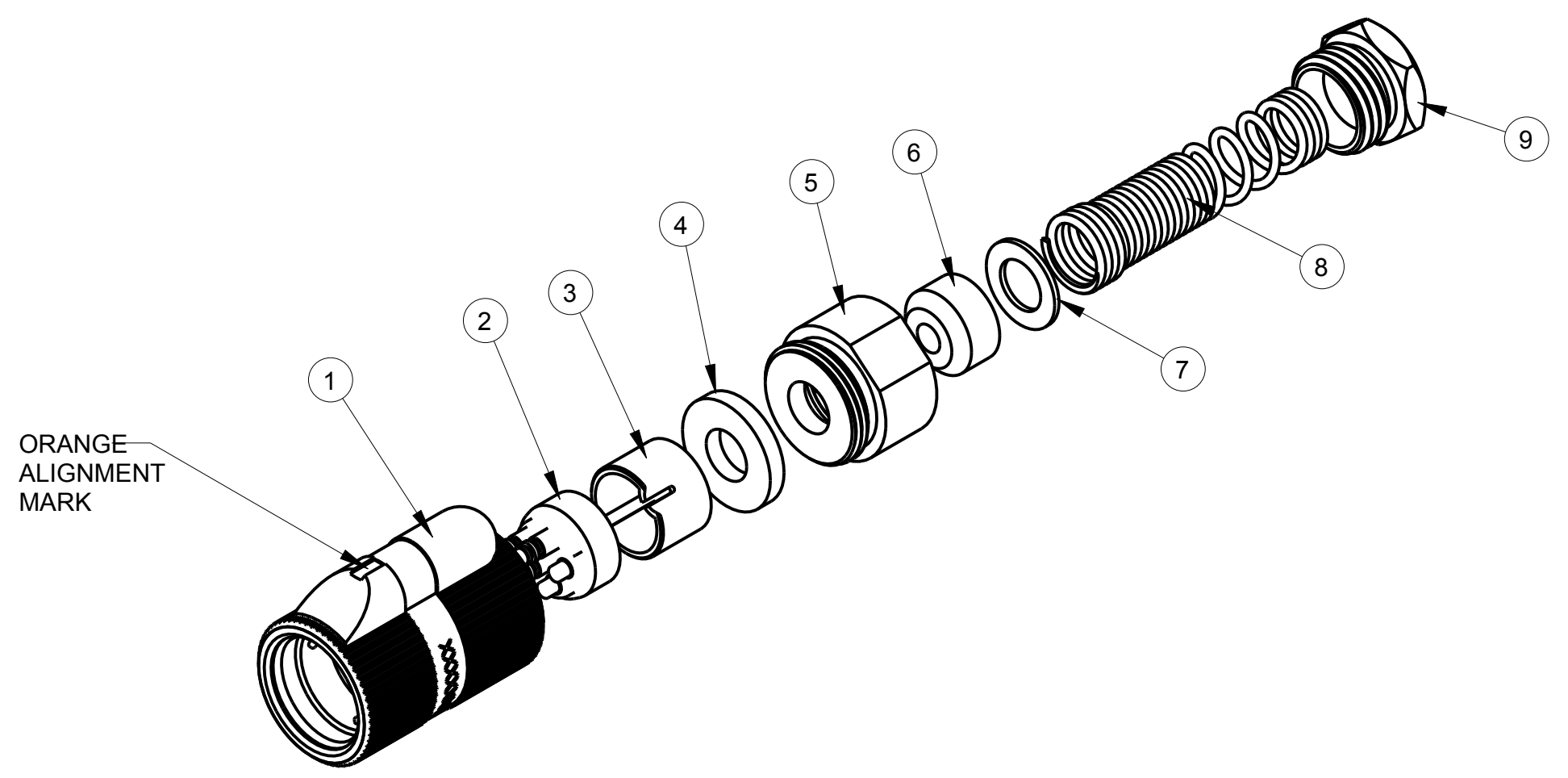


C AP-126

ITEM #	PART #	QTY	DESCRIPTION	MATERIAL
1	SEE TABLE #1	1	SHELL ASS'Y	GLASS FILLED NYLON & 303 SS
2	AP-126-6	1	INSERT ASS'Y	DIALYLPHTHALATE, TYPE SDGF & GOLD PLATED BRASS
3	AP-105-5	1	STRAIN RELIEF	NYLON
4	AP-116-3	1	WASHER	RUBBER
5	AP-116-7	1	NUT ADAPTER	ALUMINUM, ANODIZED
6	SEE TABLE #1	1	BUSHING	RUBBER
7	SEE TABLE #1	1	WASHER	STAINLESS STEEL
8	SEE TABLE #1	1	SPRING	302 STAINLESS STEEL
9	AP-116-6	1	STUD	ALUMINUM ALLOY, ANODIZED

TABLE #1						
AUDIO PLUG #	MILITARY PART #	SHELL ASS'Y	CABLE SIZE	BUSHING	WASHER	SPRING
AP-126/2-1	M55116/2-1	AP-126-1	∅ .185 ± .010	AP-116-17	AP-116-2	AP-116-4
AP-126/2-2	M55116/2-2	AP-126-2	∅ .228 ± .010	AP-116-18	AP-116-2	AP-116-4
AP-126/2-3	M55116/2-3	AP-126-3	∅ .250 ± .010	AP-116-8	AP-116-2	AP-116-4
AP-126/2-4	M55116/2-4	AP-126-4	∅ .290 ± .010	AP-116-19	AP-116-2	AP-116-4
AP-126/2-5	M55116/2-5	AP-126-5	∅ .320 ± .010	AP-116-20	AP-116-22	AP-116-21



SECTION Z-Z

NOTES:
1) UNLESS OTHERWISE SPECIFIED, CONNECTOR MEETS ALL GENERAL REQUIREMENTS & SPECIFICATIONS OF MIL-C-55116

THIS DOCUMENT CONTAINS PROPRIETARY INFORMATION OF NEXUS, INCORPORATED AND SUCH INFORMATION MAY NOT BE DISCLOSED TO OTHERS FOR ANY PURPOSE OR USED FOR ANY PURPOSE WITHOUT THE WRITTEN CONSENT OF NEXUS.

					DWN BY	MNF	DATE	2/4/97	MATERIAL		
					CHECKED BY	L SMITH	DATE	9/9/97	FINISH		
					APPR BY	L SMITH	DATE	9/9/97	WEIGHT	SCALE = 1.00 :1	
C	REVISE TABLE #1	111	8/1 2011	HR	UNLESS OTHERWISE SPECIFIED DIMENSIONS ARE IN INCHES & OR [mm]					NEXUS STAMFORD, CONN.	
B	ADD P/N'S IN P/L	101	2/25 2011	HR	TOLERANCES:						
A	REVISED & REDRAWN ON CAD	0259	2/24 1997	LS	DECIMAL: ±XX(X.X) ±.01(0.3)		±XXX(X.XX) ±.003(0.08)		TITLE		
LET.	REVISION	CN #	DATE	CHK	FRACTION: ±XXX ± 1/64		ANGLES: ±X ° ±5 °		AUDIO PLUG		
									DO NOT SCALE DWG. SHEET 1 OF 1		
									SIZE DWG. NO. C AP-126		