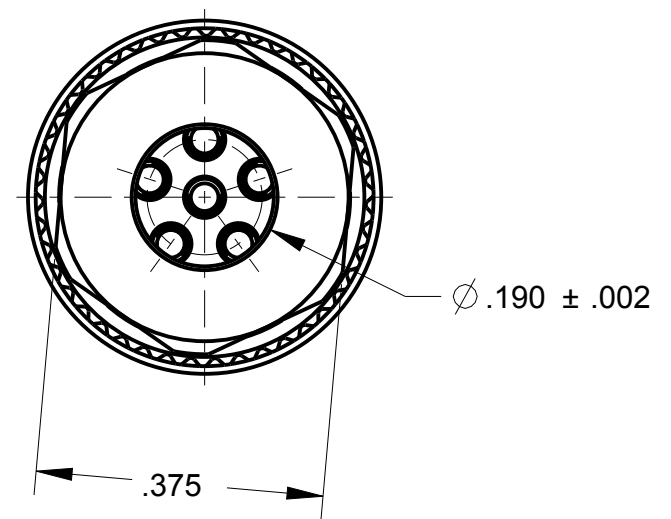
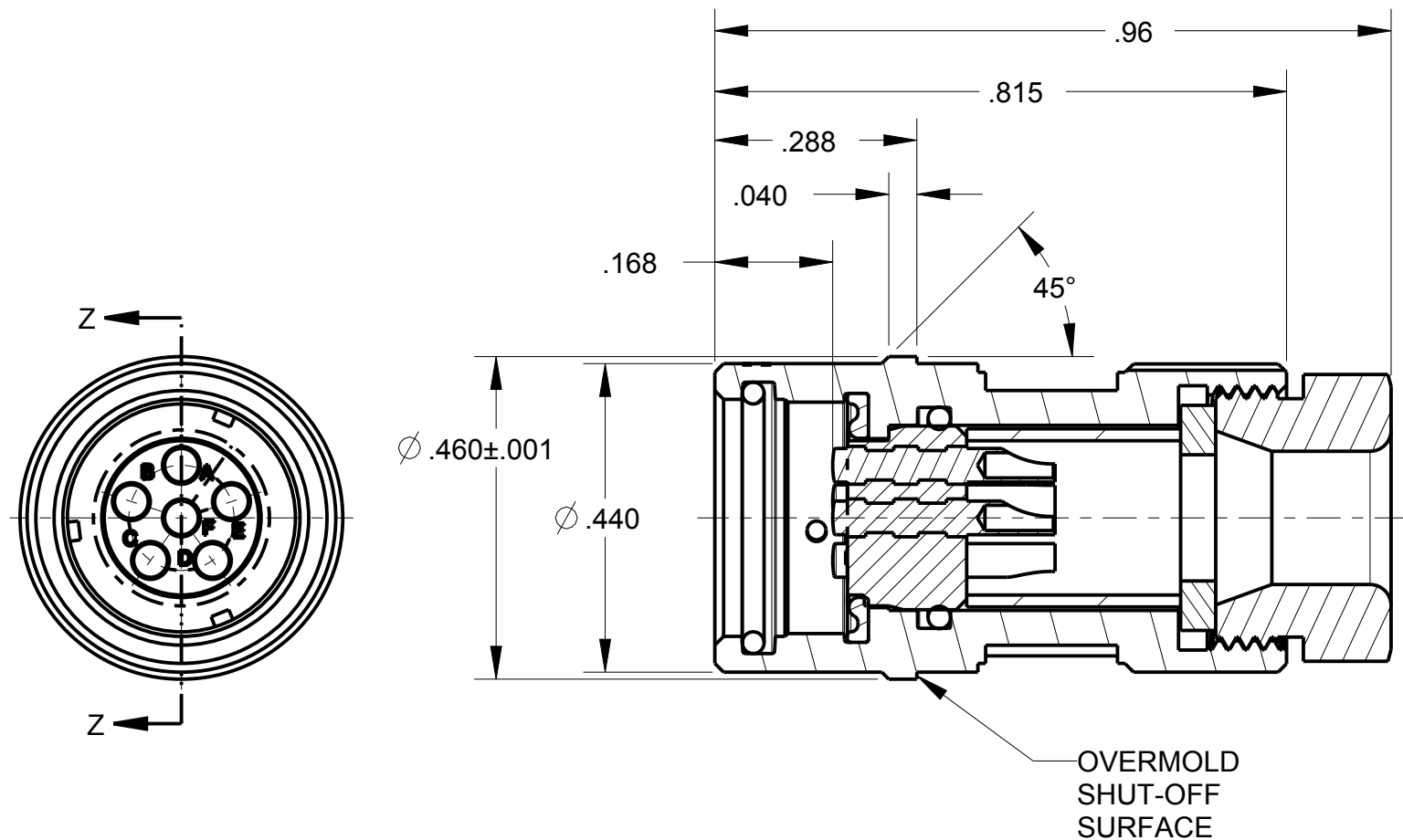
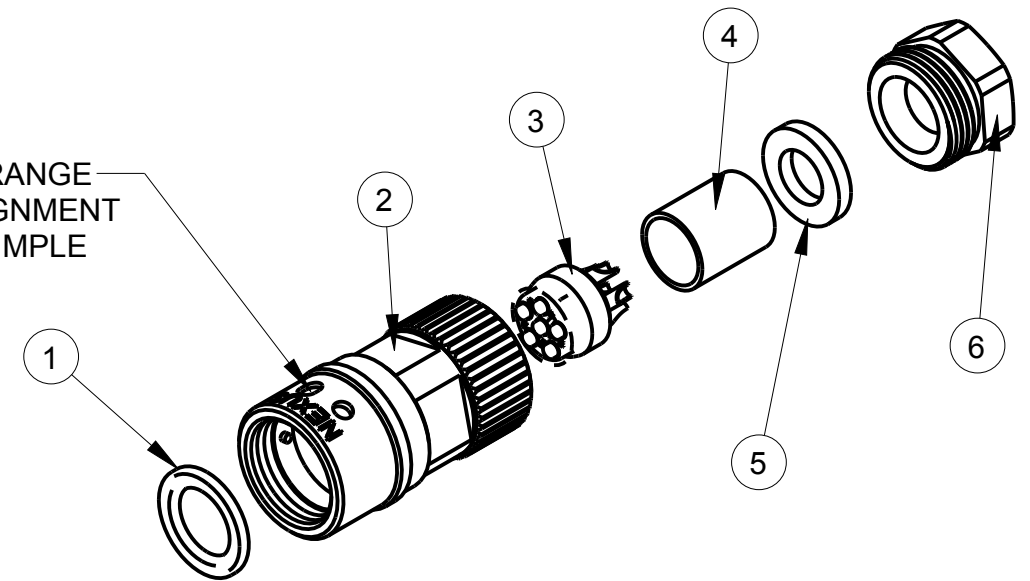


ITEM #	PART #	QTY	DESCRIPTION
1	MAP-50-27	1	FIT SEAL - PLUG
2	MAP-50-54	1	OM PLUG HOUSING ASSY
3	MAP-50-6	1	PLUG INSERT 6-COND
4	MAP-57-01	1	STRAIN RELIEF
5	MAP-50-03	1	WASHER, RUBBER
6	MAP-50-52	1	OM ADAPTER - ϕ .185

B MAP-56-50

ORANGE ALIGNMENT DIMPLE



SECTION Z-Z

THIS DOCUMENT CONTAINS PROPRIETARY INFORMATION OF NEXUS, INCORPORATED AND SUCH INFORMATION MAY NOT BE DISCLOSED TO OTHERS FOR ANY PURPOSE OR USED FOR ANY PURPOSE WITHOUT THE WRITTEN CONSENT OF NEXUS.

LET.	REVISION	CN #	DATE	CHK.
C	CHG: MAP-60-06 TO MAP-57-01	152	1/24 2013	HR
B	CHG: MAP-50-05 TO MAP-60-06	146	12/28 2012	HR
A	NEW RELEASE		12/28 2011	HR

DWN.BY	HR	DATE	12/28/11
CHECKED BY		DATE	
APPR.BY		DATE	

UNLESS OTHERWISE SPECIFIED:
DIMENSIONS ARE IN INCHES &/OR (mm)
TOLERANCES:
DECIMAL: .XX[X.X] .XXX[X.XX]
 $\pm .01[0.3] \pm .003[0.08]$
FRACTION: X/X
 $\pm 1/64$ ANGLES: X
 $\pm .5^\circ$

MATERIAL	
FINISH	
WEIGHT	SCALE = 1.00 :1
TITLE	
6 COND. OM PLUG-.185" CABLE	
DO NOT SCALE DWG.	SHEET 1 OF 1

NEXUS
STAMFORD, CONN

SIZE **B** DWG. NO. MAP-56-50