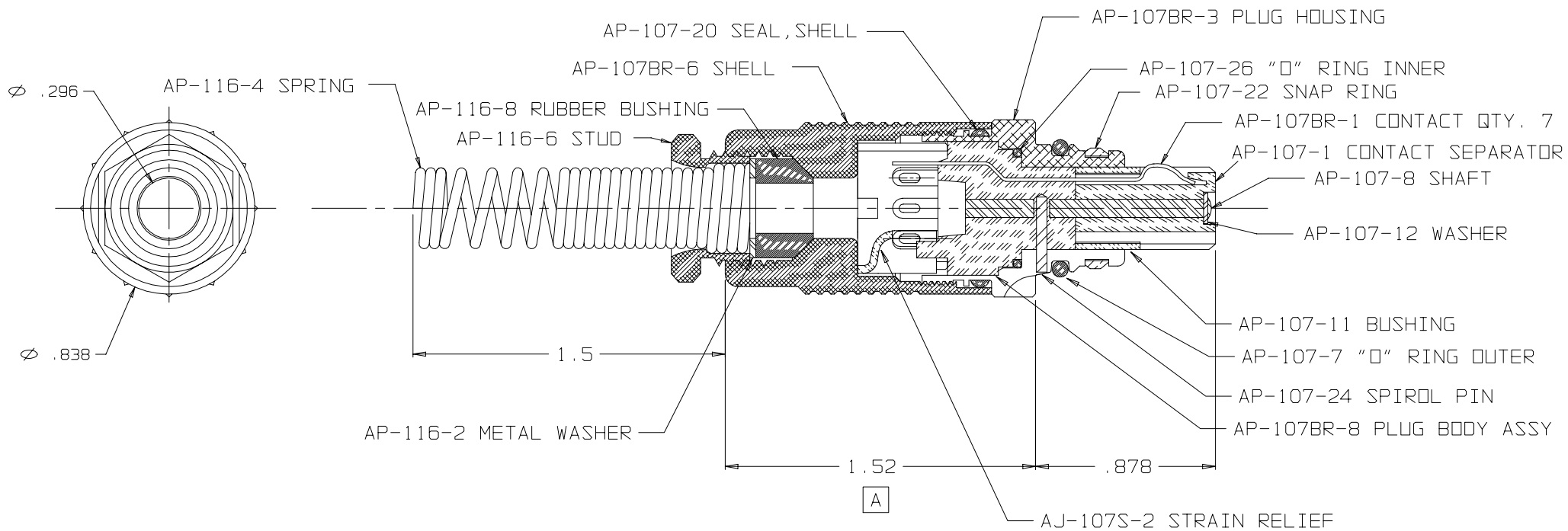


B AP-107BR

PROPRIETARY-NEXUS



THIS DOCUMENT CONTAINS PROPRIETARY INFORMATION OF NEXUS, INCORPORATED AND SUCH INFORMATION MAY NOT BE DISCLOSED TO OTHERS FOR ANY PURPOSE OR USED FOR ANY PURPOSE WITHOUT THE WRITTEN CONSENT OF NEXUS.

DWN. BY M.N.F.	DATE 9/11/96	MATERIAL _____											
CHECKED BY L. SMITH	DATE 9/12/96	FINISH _____											
APPR. BY L. SMITH	DATE 9/12/96	WEIGHT _____	SCALE 2:1										
UNLESS OTHERWISE SPECIFIED DIMENSIONS ARE IN INCHES TOLERANCES ON FRACTIONS DECIMALS ANGLES		TITLE SEVEN CONDUCTOR AUDIO PLUG WITH SPRING BEND RELIEF											
DO NOT SCALE DWG.		SHEET 1 OF 1											
<table border="1"> <tr> <td>A</td> <td>WAS 1.40</td> <td>0242</td> <td>9/23/96</td> <td>L.S.</td> </tr> <tr> <td>LET.</td> <td>REVISION</td> <td>CN #</td> <td>DATE</td> <td>CHK.</td> </tr> </table>		A	WAS 1.40	0242	9/23/96	L.S.	LET.	REVISION	CN #	DATE	CHK.	NEXUS STAMFORD, CONN.	
		A	WAS 1.40	0242	9/23/96	L.S.							
LET.	REVISION	CN #	DATE	CHK.									
SIZE B		DWG. NO. AP-107BR ASSEMBLY, B.O.M.											