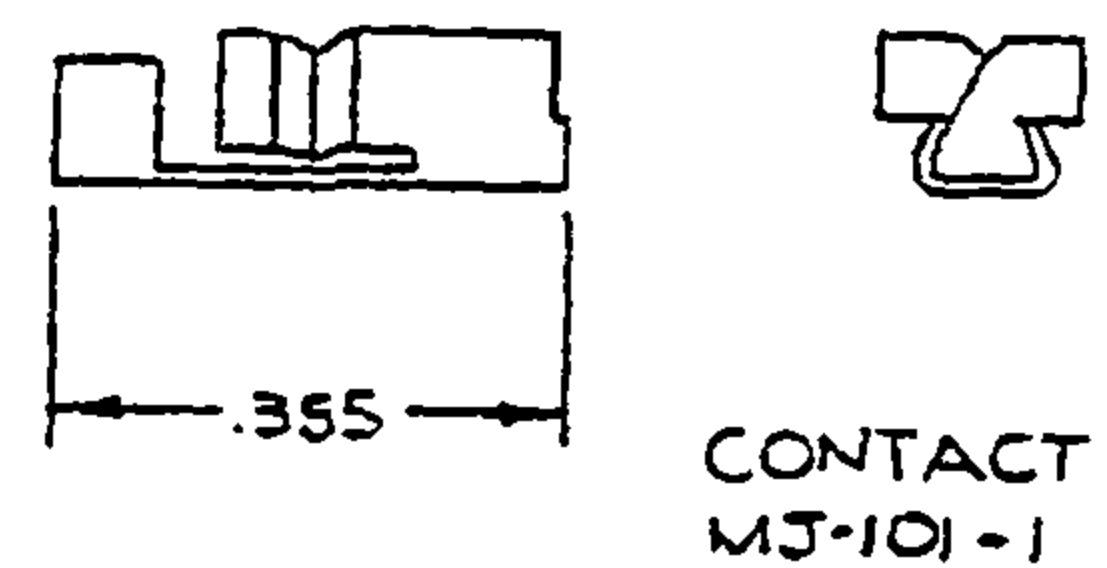
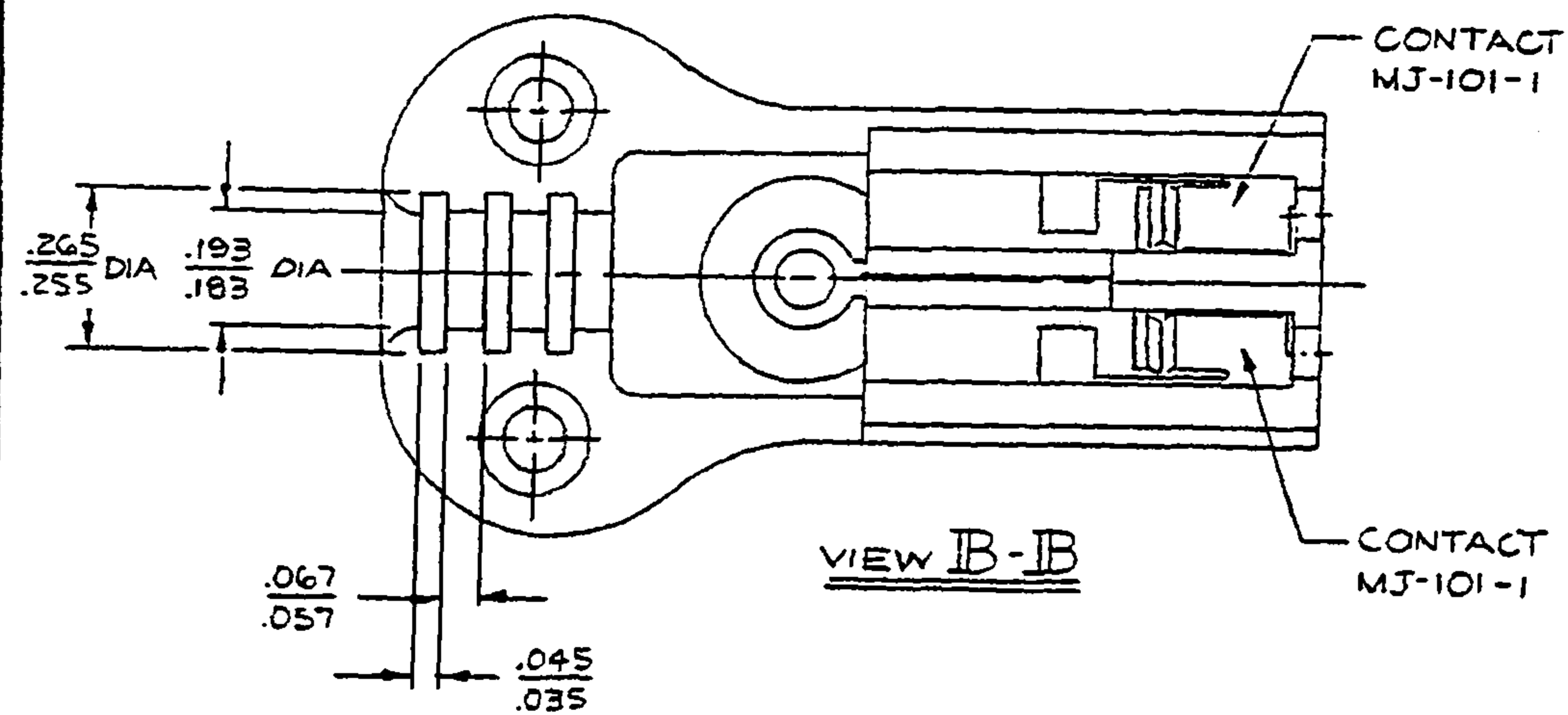
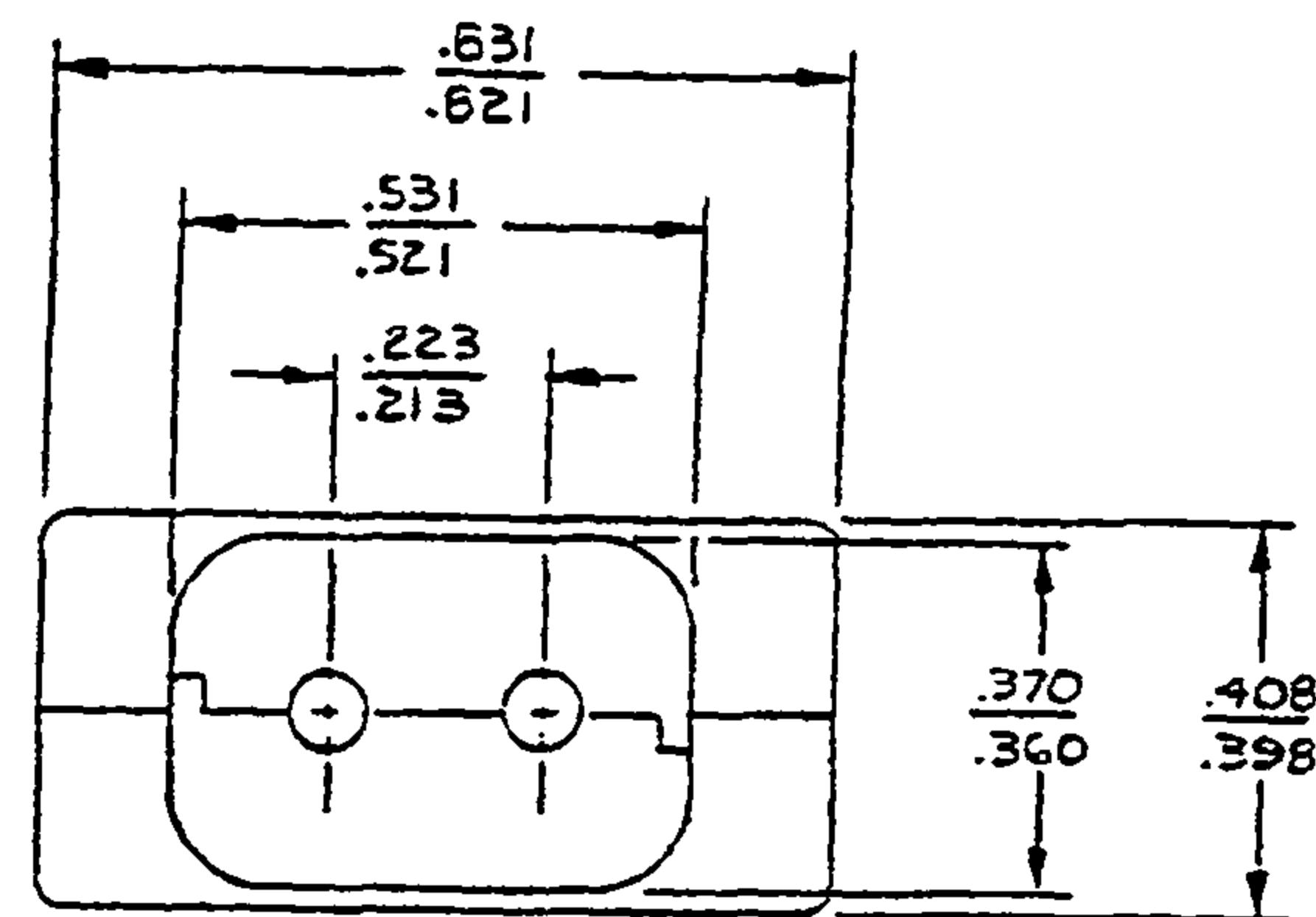
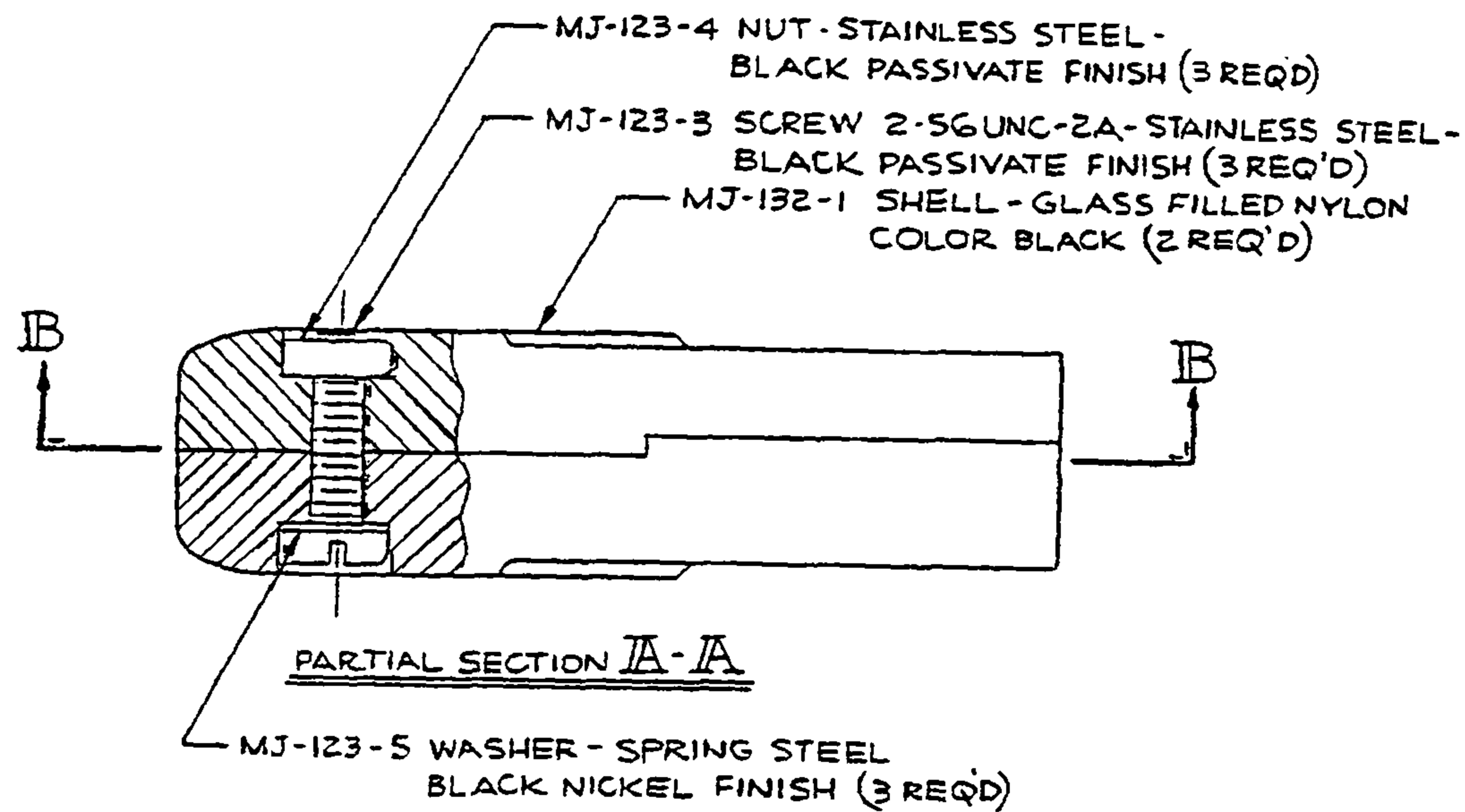


THIS DOCUMENT CONTAINS PROPRIETARY INFORMATION OF NEXUS, INCORPORATED AND SUCH INFORMATION MAY NOT BE DISCLOSED TO OTHERS FOR ANY PURPOSE OR USED FOR ANY PURPOSE WITHOUT THE WRITTEN CONSENT OF NEXUS.



CMJ-132

REV. 01	DATE 12-1-54	MATERIAL	NEXUS STAMFORD, CONN.
DESIGNED BY	FINISH	WEIGHT	
APP'D BY	SCALE	TITLE	MICROPHONE JACK 2 CONDUCTOR
DO NOT SCALE Dwg. 13 SHEET OF			
C			MJ-132