

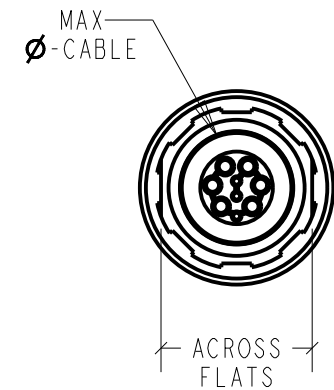
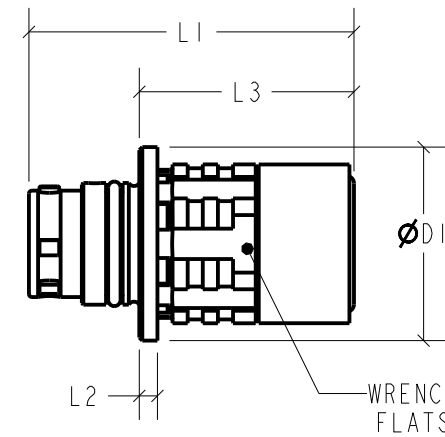
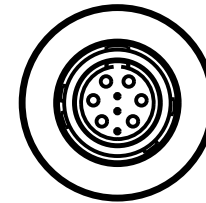
HIGH DENSITY NEXUS RANGER IN-LINE BREAK-AWAY PLUG



SIZE 0

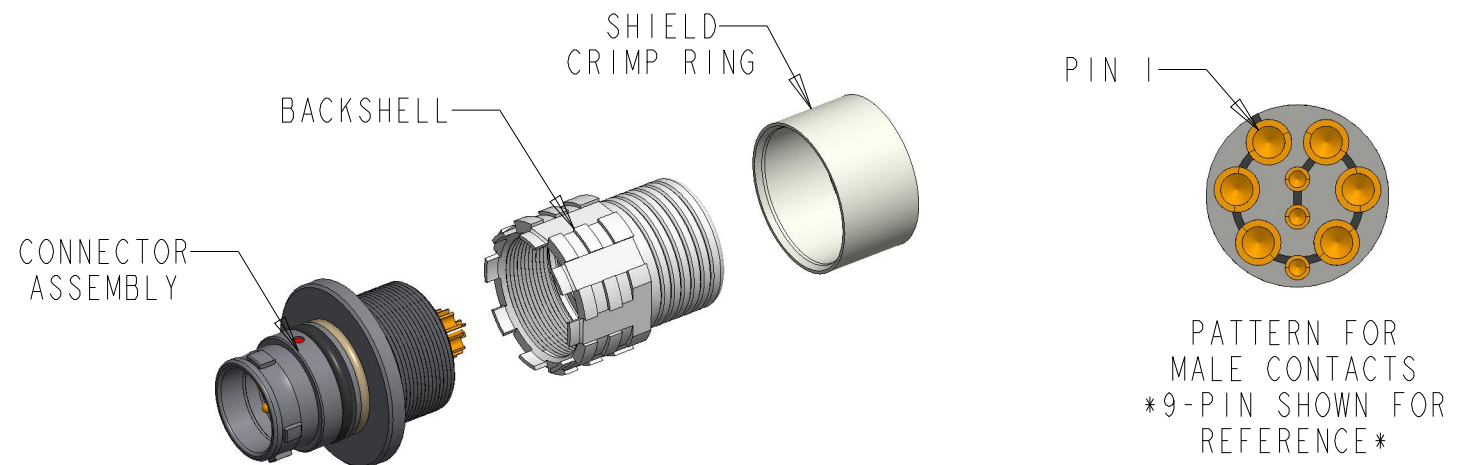
SIZE 1

SIZE	L1	L2	L3	ØD1	AF-A	MAX Ø CABLE
0	.85" [21,5]	.05" [1,2]	.56" [14,2]	.50" [12,8]	.39" [10]	.27" [7]
1	1.15" [29,2]	.05" [1,2]	.72" [18,2]	.58" [14,8]	.47" [12]	.33" [8,5]



SPECIFICATIONS

INGRESS RATING	IP68/1m IP69k WHEN MATED
OPERATING TEMPERATURE	-51°C TO 125°C
CORROSION RESISTANCE	96Hr SALT FOG
MECHANICAL ENDURANCE	5,000 MATING CYCLES
CONTACT RESISTANCE	PIN TO PIN - <10mΩ
	SHELL TO SHELL - <5mΩ
INSULATION RESISTANCE	>100MΩ
SHIELDING EFFECTIVENESS	>65dB
CONTACT MATERIAL	GOLD PLATED BRASS ALLOY



NOTES:

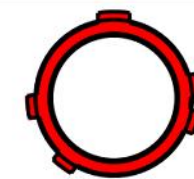
1. IN-LINE CONNECTOR IS DESIGNED TO BE ENCAPSULATED
2. BREAK-AWAY NON-LOCKING MATING
3. STANDARD PLATING IS CONDUCTIVE RUTHENIUM
4. SHIELD TERMINATED UNDER CRIMP BAND
CRIMP EFFECTIVENESS DETERMINED BY TESTING TO ENSURE SHIELD TO SHELL CONTACT RESISTANCE IS ACHIEVED
5. THREAD LOCKER IS REQUIRED FOR ASSEMBLY
6. KEYING MUST MATCH MATING CONNECTOR

KEYING CONFIGURATIONS

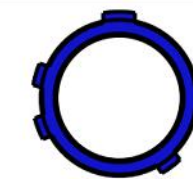
PATTERN OF MALE CONNECTOR SHOWN AT CONTACT END



A - BROWN



B - RED



C - BLUE



D - GREEN

CUI

THIS DOCUMENT CONTAINS PROPRIETARY INFORMATION OF NEXUS, INCORPORATED AND SUCH INFORMATION MAY NOT BE DISCLOSED TO OTHERS FOR ANY PURPOSE OR USED FOR ANY PURPOSE WITHOUT THE WRITTEN CONSENT OF NEXUS.

				DWN. BY BAM	DATE 10/04/2023	MATERIAL	
				CHECKED BY	DATE	FINISH	
				APPR. BY	DATE	WEIGHT	SCALE = 2:1
				UNLESS OTHERWISE SPECIFIED: DIMENSIONS ARE IN INCHES &/OR [mm] TOLERANCES:		TITLE	
A	NEW RELEASE	---	10/4/2023	DECIMAL	.XX[X,X]	HIGH DENSITY RANGER BREAKAWAY INLINE PLUG	
LET.	REVISION	CN #	DATE	FRACTION	± X/XX"	DO NOT SCALE DWG. SHEET 1 OF 1	
			CHK	ANGLES	± X°	NEXUS STAMFORD, CONN	
						SIZE B	DWG. NO. NX-A1XW