

2

PROPRIETARY - NEXUS
ORDERING PART NUMBER: AP-107DRS

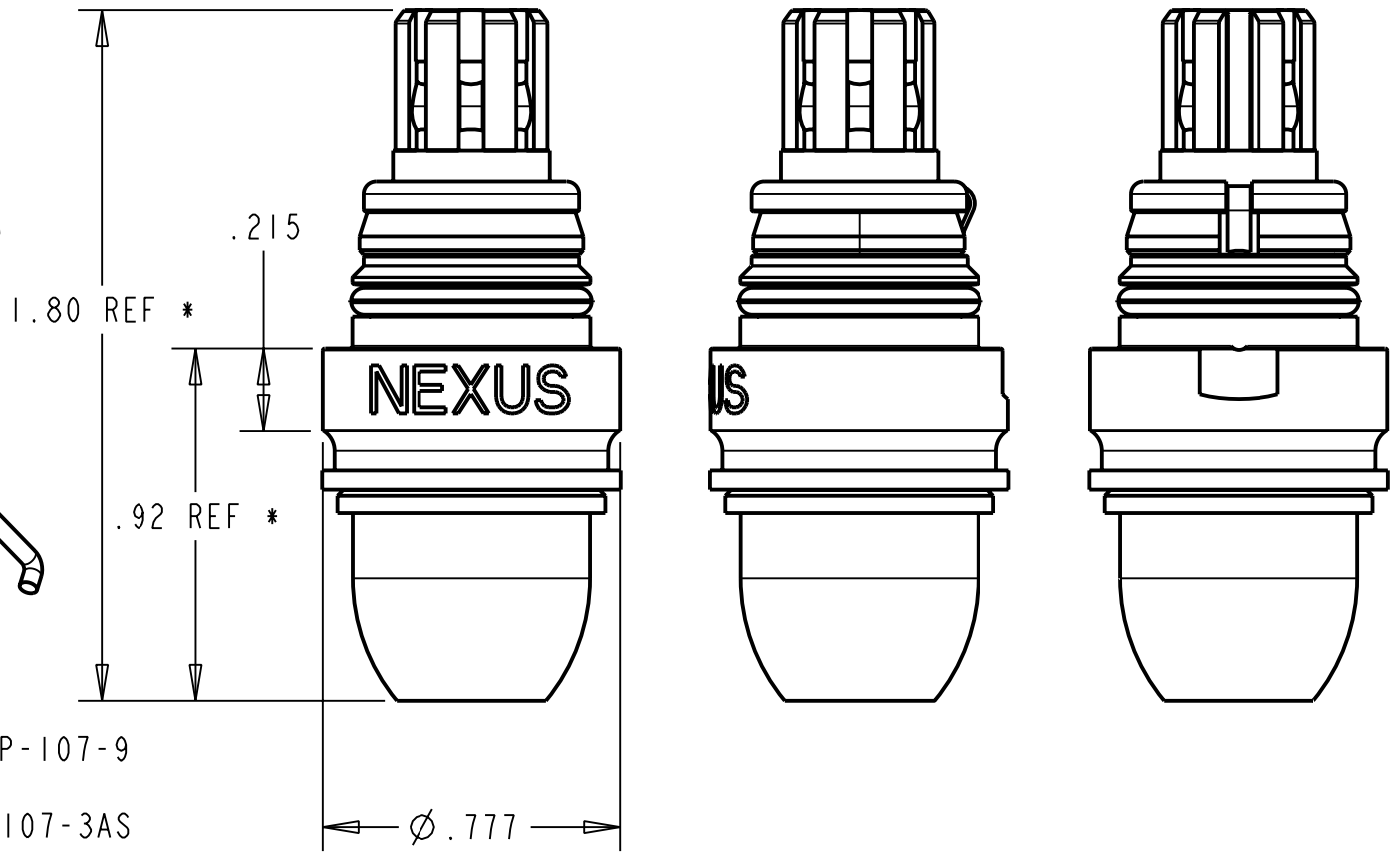
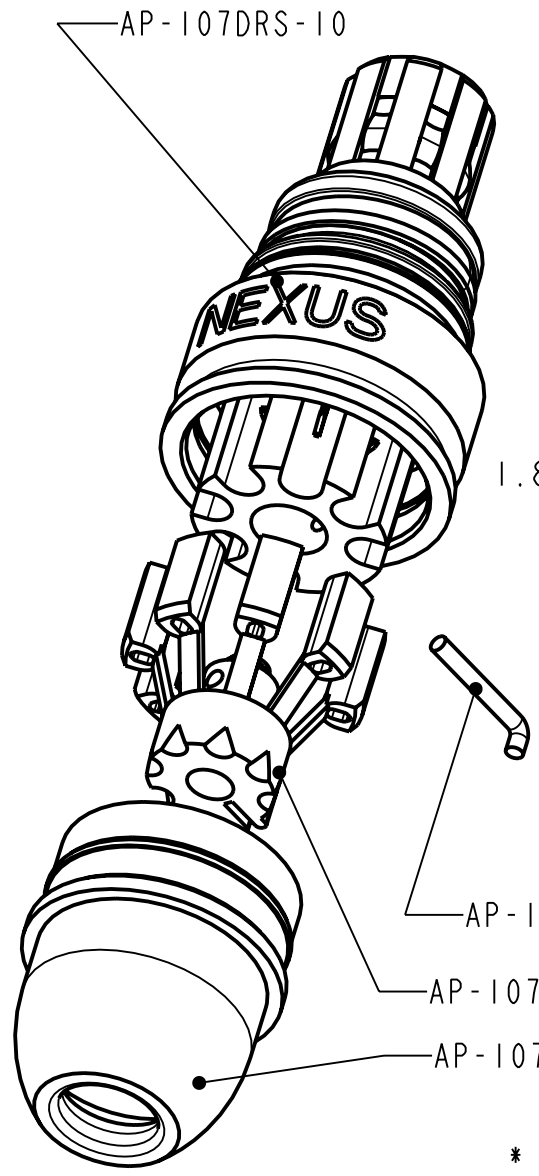
A AP-107DRS-CP

B

B

A

A



THIS DOCUMENT CONTAINS PROPRIETARY INFORMATION OF NEXUS, INCORPORATED AND SUCH INFORMATION MAY NOT BE DISCLOSED TO OTHERS FOR ANY PURPOSE OR USED FOR ANY PURPOSE WITHOUT THE WRITTEN CONSENT OF NEXUS.

* REF DIMENSIONS ARE FOR INFORMATION ONLY

					DWN. BY LDE	DATE 11-Jul-07	MATERIAL	
					CHECKED BY	DATE	FINISH	
					APPR. BY	DATE	WEIGHT	SCALE = 2.00 : 1
					UNLESS OTHERWISE SPECIFIED DIMENSIONS ARE IN INCHES TOLERANCES ON .XX .XXX ANGLES ±.003 ±.5°			TITLE PLUG - DRS ORDERING PART NUMBER: AP-107DRS
LET.	REVISION	CN #	DATE	CHK.				