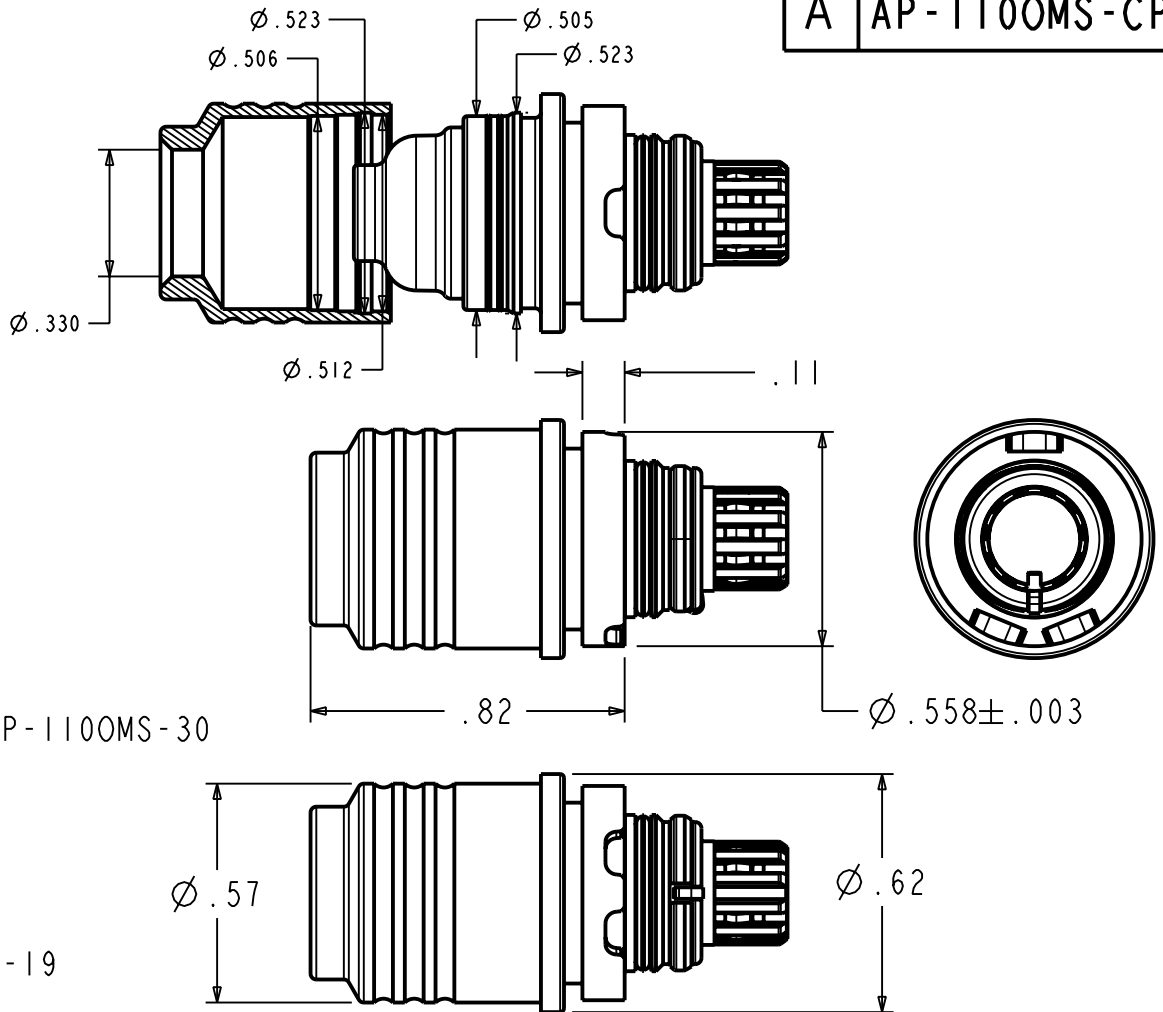
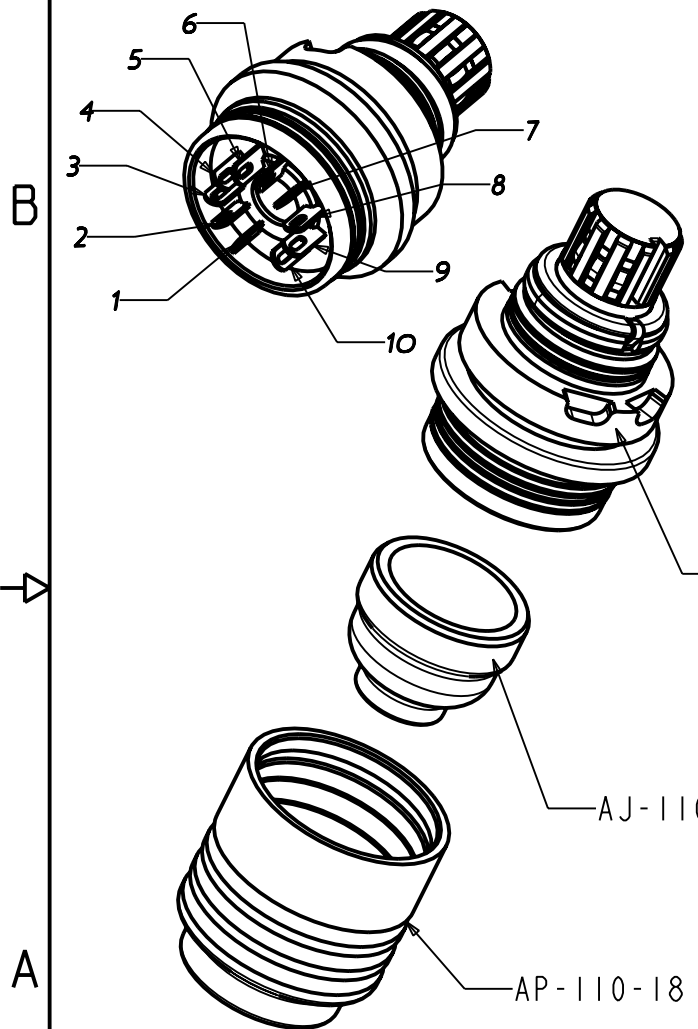


PROPRIETARY - NEXUS

ORDERING PART NUMBER: AP-110OMS

A AP-110OMS-CP



THIS DOCUMENT CONTAINS PROPRIETARY INFORMATION OF NEXUS, INCORPORATED AND SUCH INFORMATION MAY NOT BE DISCLOSED TO OTHERS FOR ANY PURPOSE OR USED FOR ANY PURPOSE WITHOUT THE WRITTEN CONSENT OF NEXUS.

					DWN. BY LDE	DATE 05/28/08	MATERIAL	
					CHECKED BY	DATE	FINISH	
					APPR. BY	DATE	WEIGHT	SCALE = 2.00 : 1
					UNLESS OTHERWISE SPECIFIED DIMENSIONS ARE IN INCHES TOLERANCES ON			NEXUS STAMFORD, CONN
F	RELEASE		05/19 2010		.XX	.XXX	PLUG OMS ORDERING PART NUMBER: AP-110OMS	
LET.	REVISION	CN #	DATE	CHK.	±.003	ANGLES ±.5°	DO NOT SCALE DWG.	SHEET 1 OF 1
							SIZE A	DWG. NO. AP-110OMS-CP