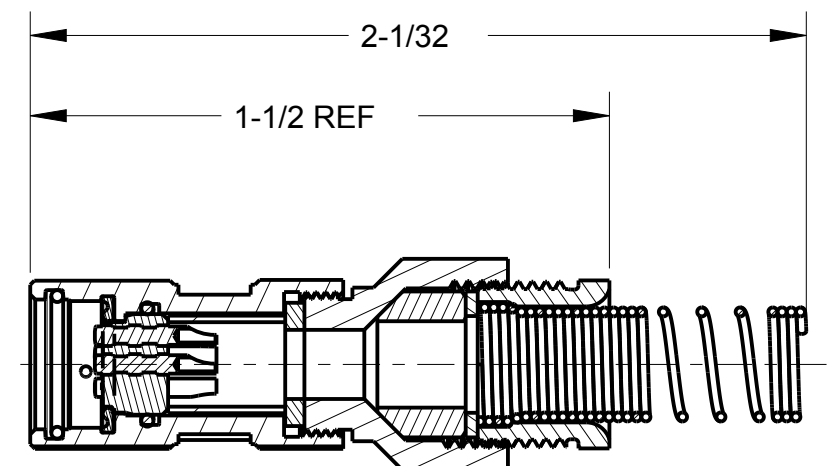
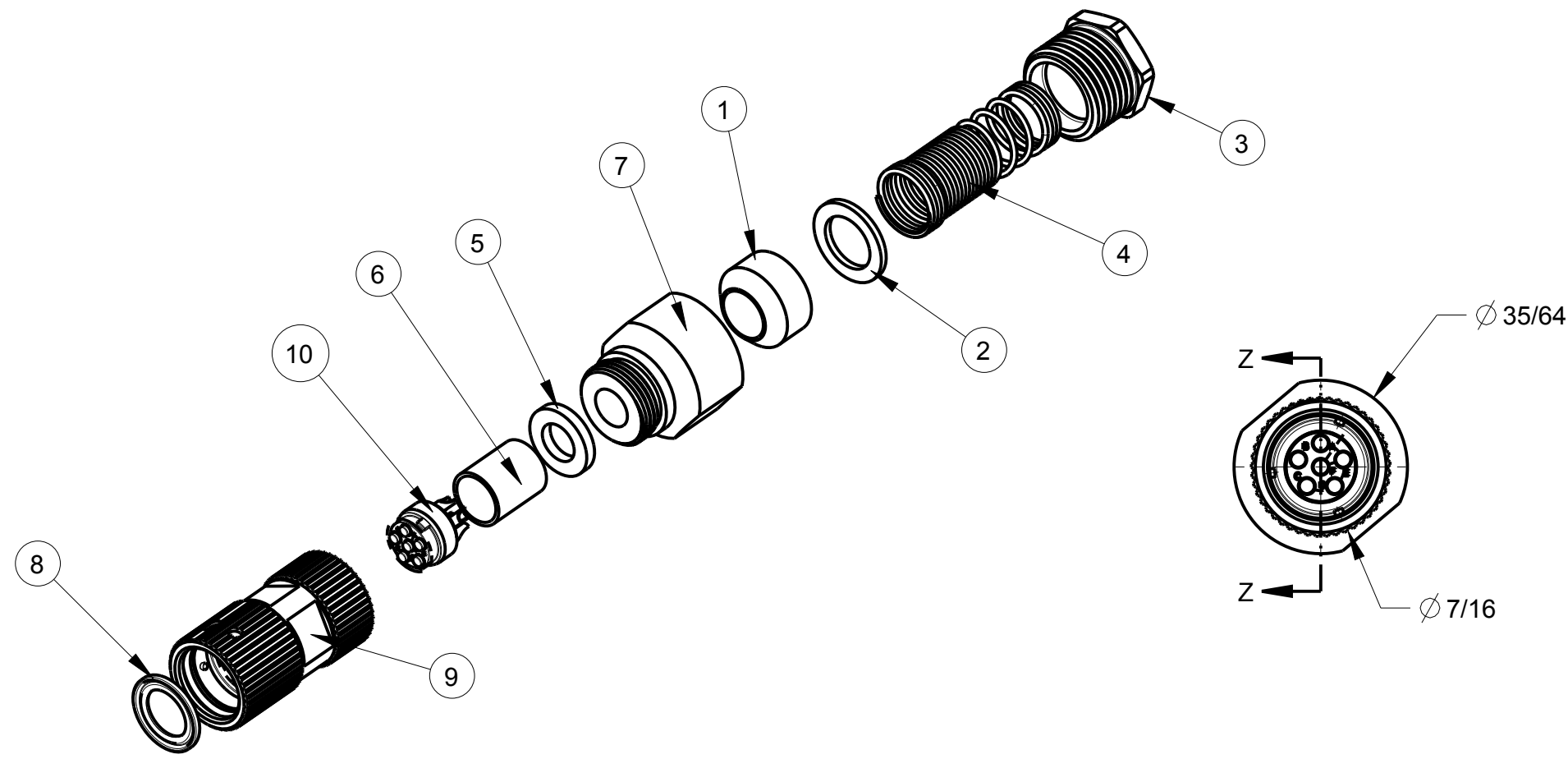
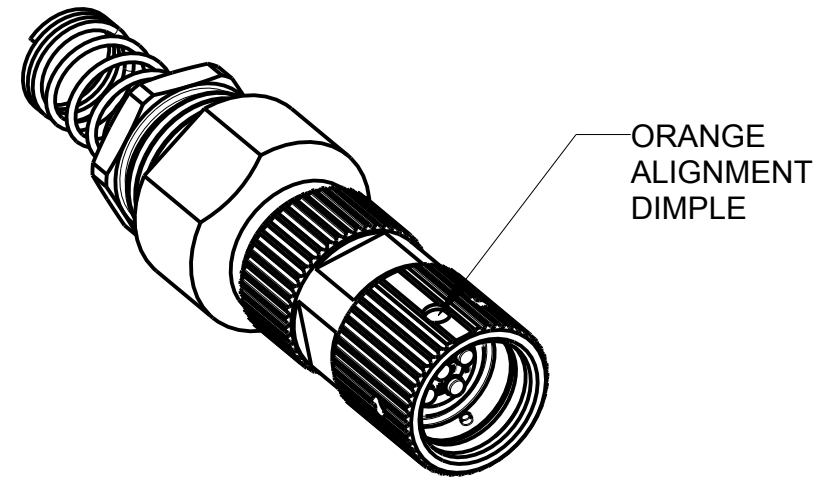


ITEM #	PART #	QTY	DESCRIPTION
1	AJ-117BR-9	1	BUSHING (.250")
2	AJ-117BR-10	1	WASHER (.250")
3	AJ-117BR-11	1	STUD, SHELL (.250")
4	AJ-117BR-15	1	SPRING (.250")
5	MAP-50-03	1	WASHER RUBBER
6	MAP-57-01	1	STRAIN RELIEF
7	MAP-50-24	1	NUT ADAPTER
8	MAP-50-27	1	FIT SEAL - PLUG
9	MAP-50-53	1	PLUG HOUSING ASS'Y
10	MAP-50-6	1	PLUG INSERT, 6 COND

B MAP-56-30



SECTION Z-Z

THIS DOCUMENT CONTAINS PROPRIETARY INFORMATION OF NEXUS, INCORPORATED AND SUCH INFORMATION MAY NOT BE DISCLOSED TO OTHERS FOR ANY PURPOSE OR USED FOR ANY PURPOSE WITHOUT THE WRITTEN CONSENT OF NEXUS.

					E	CHG: MAP-50-05 TO MAP-60-06	146	10/25 2012	HR	DWN.BY	LDE	DATE	26-Jan-10	MATERIAL		
					D	CHG SHIELD CLAMP	112	8/9 2011	HR	CHECKED BY		DATE		FINISH		
					C	ADD FIT SEAL & ALIGNMENT MARK WAS A SIZE - ADD MAT'L		06/04 2010		APPR.BY		DATE		WEIGHT	SCALE = 2.00 :1	
					B	SHIELDING WASHERS		03/25 2010		UNLESS OTHERWISE SPECIFIED: DIMENSIONS ARE IN INCHES &/OR (mm)			TITLE 6 COND. PLUG-1/4" CABLE			
					A	RELEASE		01/26 2010		TOLERANCES: DECIMAL: .XX[X.X] .XXX[X.XX] ± .01[0.3] ± .003[0.08] FRACTION: X/X ± 1/64 ANGLES: X ± .5°						DO NOT SCALE DWG.
F	CHG: MAP-60-06 TO MAP-57-01, ADD: 2-1/32	152	1/24 2013	HR											NEXUS STAMFORD, CONN	
LET	REVISION	CN #	DATE	CHK	LET.	REVISION	CN #	DATE	CHK.				SIZE	DWG. NO.		
										B	MAP-56-30					